

A LIFE-SAVING SOLUTION

Military Parachute Rack Storage System



I will keep all parachute equipment entrusted to my care in the best possible condition, remembering always that little things left undone cause major problems
~ The Rigger's Creed, United States Army Quartermaster Corps

The primary mission of pararescuemen is to provide rescue, recovery, medical treatment, and evacuation in any environment, day or night. They do whatever it takes to save a person's life, which is why it's important that their gear be as safe and secure as possible.

At a Pararescue Training Facility, military parachutes and life rafts in a myriad of sizes were stored on wide-span shelving. It was

they easily caught on catch points. For security purposes, the chutes lived behind a large cage, which was cumbersome to work around.

"The school had a very strong specification for the parachute racks they needed," says Jane Glass, Director of Government Sales at Spacesaver. "The racks had to be infinitely adjustable horizontally as well as adjustable every six inches vertically. They had a variety of gear sizes to store, and they needed to store them securely."

"The racks had to be infinitely adjustable horizontally as well as adjustable every six inches vertically. They had a variety of gear sizes to store, and they needed to store them securely."

Jane Glass, Director of Government Sales

difficult to move such heavy equipment on the shelving, and there was a concern about sliding the chutes and rafts as





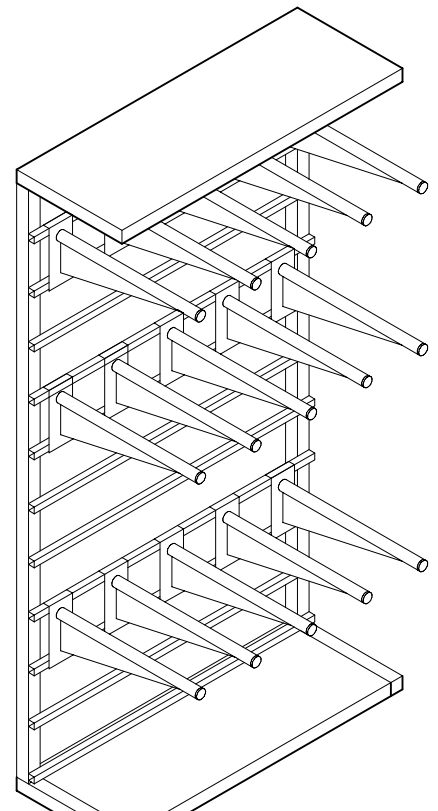
STORAGE BEFORE

Metal shelving and racking could only hold a limited amount of parachutes.

Some of the chutes were too heavy for the metal racking and were being placed on the floor, which was against base policy



© U.S. Air Force photo by Senior Airman Ethan Morgan



PARACHUTE RACK

500 miles away at another Air Force Base, wide-span shelving was also creating a storage challenge for an AFE Equipment Inspection Unit. This unit is in charge of all the inspection and equipment maintenance and preparation for all the aircrew flight equipment for C-130 aircrafts. The wire decking that the parachutes, life rafts, CO2 tanks, and other accessories were placed on had exposed sharp edges, resulting in damaged equipment. And, in addition to

Adjustable cantilever arms, infinitely adjustable horizontally and in six inch increments vertically.

simply not being able to store all of the items in one central location, there were specific requirements the storage needed to meet—and the unit wasn't meeting those requirements.

"The metal racks they were using only held a certain amount of the military parachutes, and the gear couldn't be moved around easily," says Justin Story, a Sales Manager for Southwest Storage Solutions. "And, because

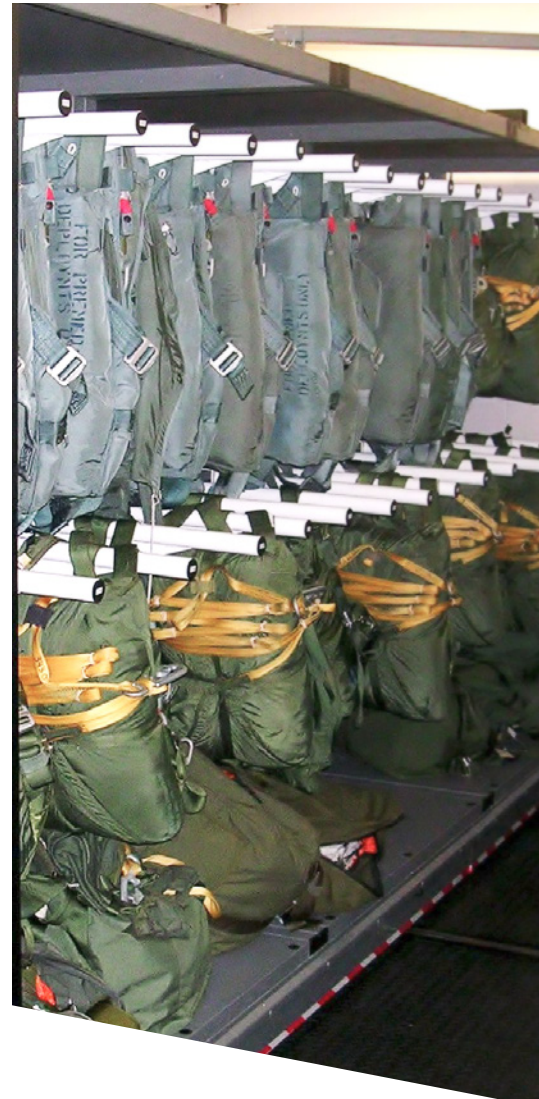
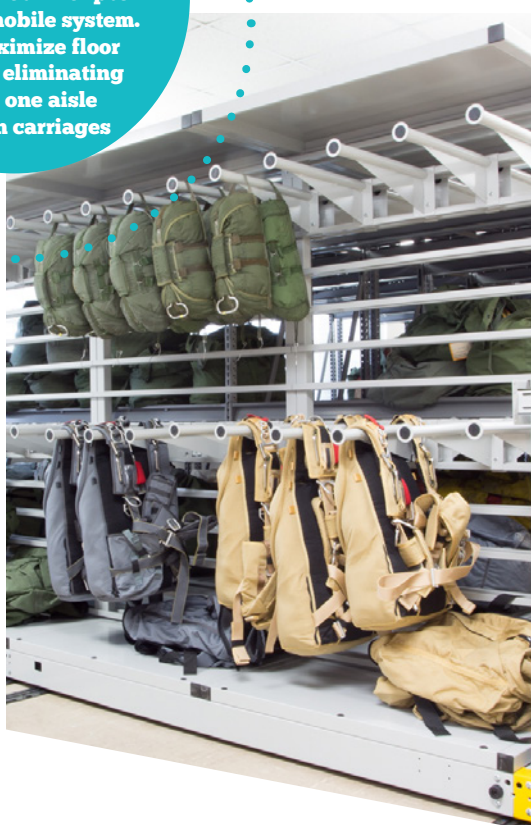
some of the chutes were just too heavy to put on the racks in the first place, they were having to be set on the floor, which wasn't up to the base's specifications."

The answer to the both of these storage challenges came about by way of a sales representative for Delta Designs, one of Spacesaver's partner companies. The representative had previously been involved in the museum industry, and thought that a heavy-duty welded steel constructed textile rack with a few modifications would present the perfect solution. This rack has vertical and horizontal posts construction of 14 ga. steel tubing with sizes up to 138" and 48" deep. Adjustable cantilever arms, infinitely adjustable horizontally and in six inch increments vertically as the school's needs specified, allowed parachutes of all sizes to be hung from their straps. This allowed for optimum storage density and efficiency, especially when used in conjunction



Rack is designed to attach to the floor or mobile system. Below, an ActivRAC® 7M mobilized storage system was used. To the right an Eclipse® powered mobile system. Both maximize floor space by eliminating all but one aisle between carriages

STORAGE AFTER



with one of Spacesaver's high-density mobile systems.


In the case of the pararescue facility, the Parachute Racks were paired with Spacesaver's powered mobile system, Eclipse® and Touchpad with Display and Audit Control, to attain an additional level of safety and security. This replaced the unwieldy cage, and also added an extra benefit as well. "The pairing of the two systems not only stores the school's equipment optimally, but it also helps keep things clean. They're located right on the water, and the combination keeps sand and other debris away from the parachutes and life rafts."

Similarly, the AFE unit worked with Patterson

Pope, another Spacesaver area contractor, to combine the Parachute Racks with Spacesaver's mobilized storage system,

This integration has quadrupled the amount of free space, enabling the unit to devote a separate room to the testing and inflating of the life rafts and parachutes.

ActivRAC®. This integration has quadrupled the amount of free space, enabling the unit to devote a separate room to the testing and inflating of the life rafts and parachutes. A technical sergeant at the unit reports that the



Adjustable cantilever arms, infinitely adjustable horizontally and in six inch increments vertically as the school s needs specified, allowed parachutes of all sizes to be hung from their straps.

heavy-duty, adjustable system not only holds all of the necessary load capacities of the materials, but it's also extremely easy to roll carts in and

In both locales, the worry about equipment snagging and puncturing has been eliminated. All materials used in the fabrication of the Parachute racks were developed to be "non-reactive" to prevent any degradation. All corners are rounded and exposed edges meticulously deburred

in order to prevent any damage to the stored materials.

All materials used in the fabrication of the Parachute racks were developed to be non-reactive to prevent any degradation.

out of the ActivRAC aisles—no small feat when the typical 20-man life raft can weigh anywhere from 300 to 400 pounds.

"The best feature about the Parachute Rack is that it really can store any parachute," Story says.

"A unit used to have to think about storing specific types and sizes and how to segregate the chutes, and that isn't the case anymore. It really is a universal military parachute solution."

● ● ● ● ●
SOUTHWEST SOLUTIONS GROUP

We Make Space & People Work Better Together

www.SouthwestSolutions.com | 800-803-1083