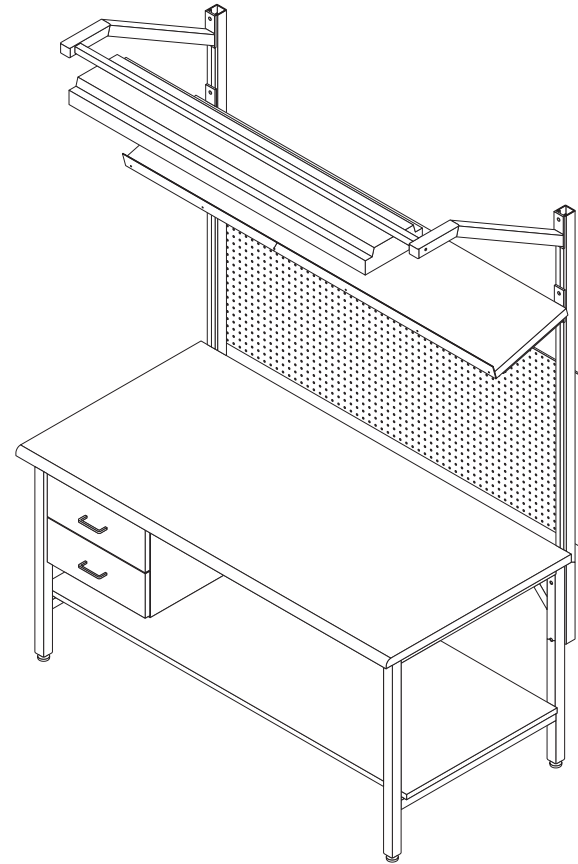


Standard Catalog Products

rev2017



● ● ● ● ●
SOUTHWEST SOLUTIONS GROUP

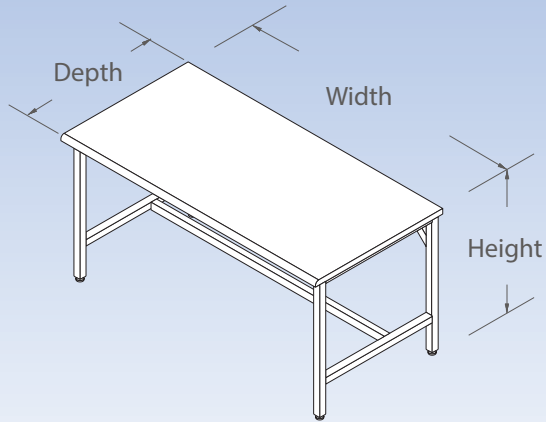
business efficiency systems

An Employee Owned Company

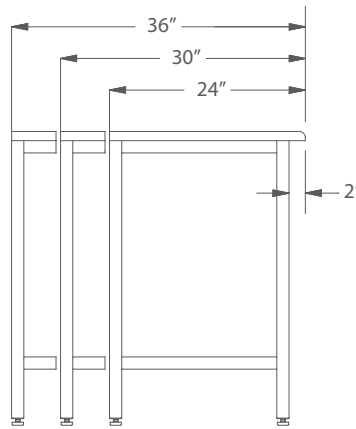
SouthwestSolutions.com

800-803-1083

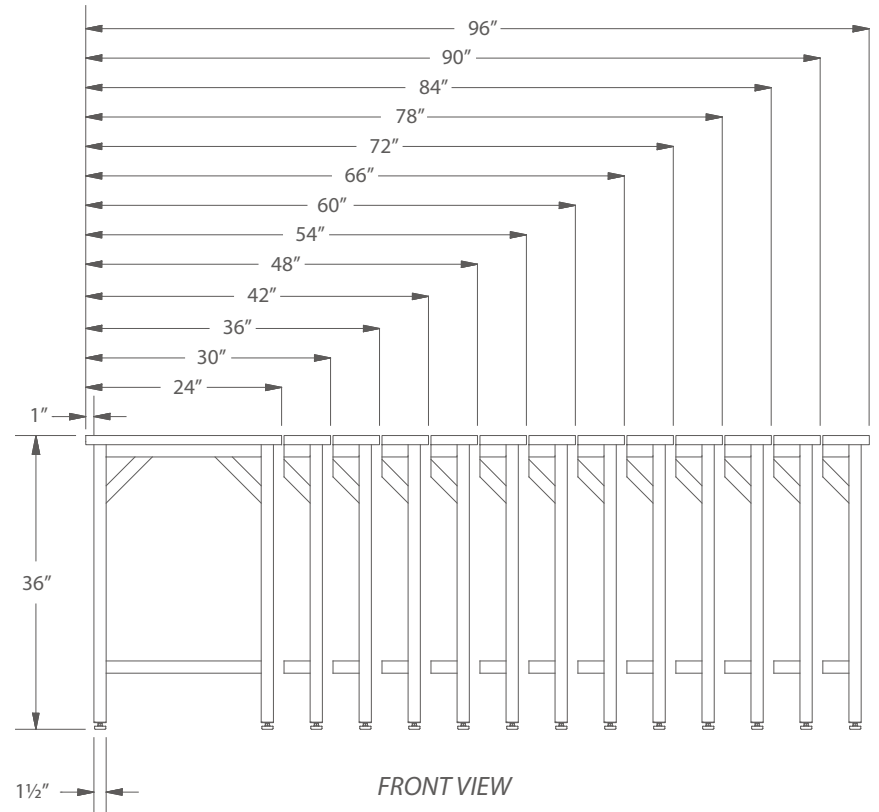
Available Bench Sizes



- Widths:** 24" - 96" (IN 6" INCREMENTS)
- Depths:** 24", 30", 36"
- Heights:** 30", 36", 42"



LEFT SIDE VIEW



FRONT VIEW

Standard Product Options

Work Surface



- HPL:** High Pressure Laminate
- PHN:** Phenolic
- EPX:** Epoxy 3/4" or 1"
- MPL:** Maple
- STL:** Steel

Work Surface Reveals	Tube SD	Size HD
Sides	1"	1/2"
Front	2"	1 1/2"
Back	0"	0"

Widths: 24" - 96" (IN 6" INCREMENTS)

Depths: 24", 30", 36"

Frame

- Steel Tube Size:**
- SD:** 1 1/2" SQUARE
- HD:** 2" SQUARE

Feet Options

- ADJ:** Adjustable Levelers
- AVL:** Anti-Vibration Levelers
- LKC & NLC:** Locking & Non Locking Casters
- ALC:** Adjustable Leveler & Caster Combo

Shelves

- Lower & Upper Shelf Thickness':**
- HPL:** 3/4"
- Phenolic:** 3/4"
- Epoxy:** 3/4"
- Maple:** 3/4"
- Steel:** 3/4"

Lower Shelves

Depth: 12", 15" or 18"

Upper Shelf

Depth: 12", 15" or 18"

Accessories

Power Strips:
Width: 24", 36" or 48"

Overhead Light:
Width: 24" or 48"

Steel Cabinets:
Fit inside of all frames
(1 1/2" and 2" SQUARE)

Laminate Cabinets:
Match Steel Cabinet sizes

Paint Colors

- RD01:** RED
- BK59:** BLACK (TEXTURED)
- BK66:** BLACK (SEMI-GLOSS)
- BG01:** ALMOND
- WH12:** WHITE (TEXTURED)
- WH11:** WHITE (SEMI-GLOSS)
- 7045:** GRAY
- 5012:** BLUE
- 5017:** TRAFFIC BLUE
- 5003:** SAPPHIRE
- SGPE:** STEEL GRAY PEARLESCENT
- 7035:** LIGHT GRAY
- 1015:** LIGHT IVORY

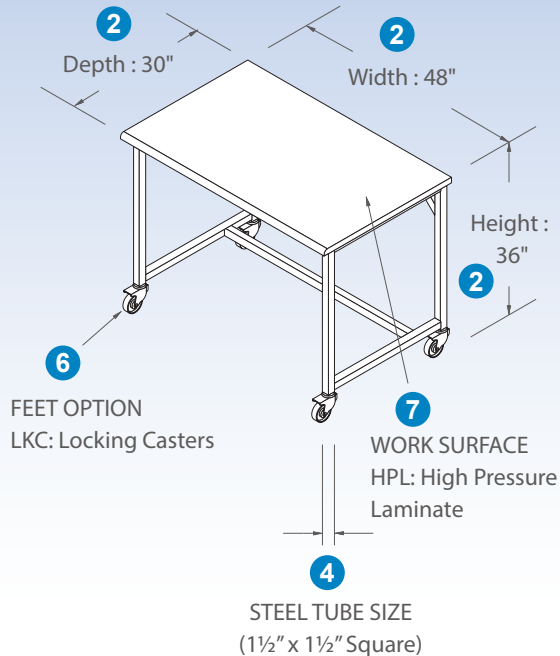
Basics Standard Product Key

How it works:

1 2 3 4 5 6 7
FBX483036TBSDWLKCHPL

1 2 3 4 5 6 7
FBX WW DD HH TB SD W LKC HPL

1 **Basix Standard Product**



1 BENCH TYPE

FBX F Basix Standard Product

2 DIMENSIONS

WW: Width **DD:** Depth **HH:** Height

3 BENCH TYPE

TB: Typical Bench

IB: Island Bench

CB: Corner Bench

4 STEEL TUBE SIZE

SD: Standard Tube Dimension

(1½" x 1½" Square)

HD: Heavy Duty (2" x 2" Square)

5 CONSTRUCTION METHOD

W: Welded Frame Construction

B: Bolt Together Construction

6 FEET OPTIONS

ADJ: Adjustable Levelers

AVL: Anti-Vibration Levelers

LKC: Locking Casters

NKC: Non-Locking Casters

ALC: Adjustable Leveler & Caster Combo

7 WORK SURFACE MATERIAL

HPL: High Pressure Laminate

PHN: Phenolic Resin

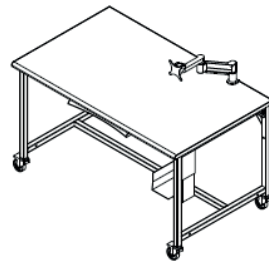
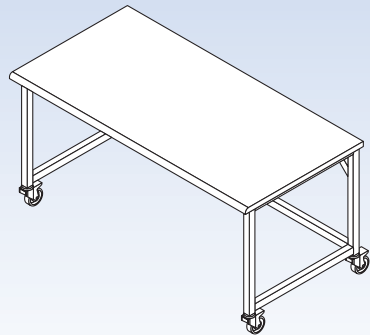
EPX Epoxy Resin

MPL: Maple

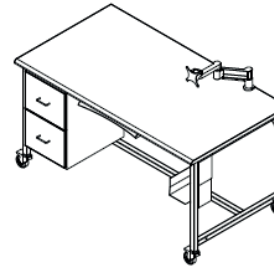
STL: Steel

Basics Configuration Examples

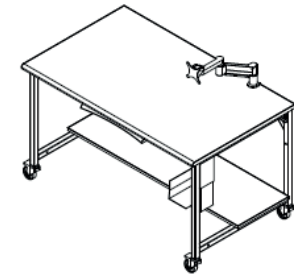
"What can you create?"



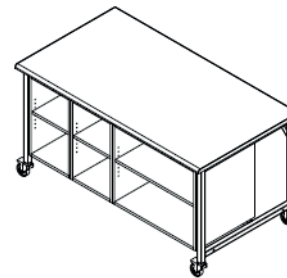
- ▶ Keyboard Tray
- ▶ CPU Holder
- ▶ 7-Flex Monitor Mount



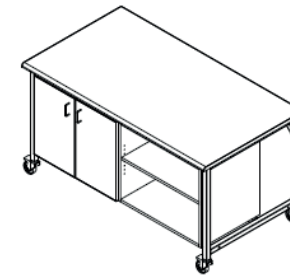
- ▶ Laminate Or Steel Cabinets
- ▶ Keyboard Tray
- ▶ CPU Holder



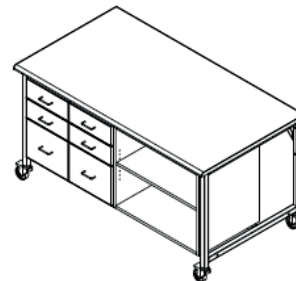
- ▶ Lower 1/2 Shelf
- ▶ Keyboard Tray
- ▶ CPU Holder
- ▶ 7-Flex Monitor Mount



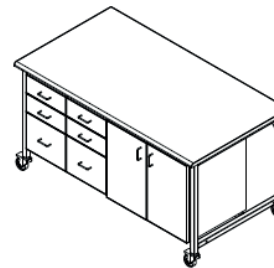
- ▶ Laminate Or Steel Cabinets
- ▶ Open Shelf Cabinets



- ▶ Laminate Or Steel Cabinets
- ▶ Open Shelf or Cabinets with Doors



- ▶ Laminate Or Steel Cabinets
- ▶ Drawer or Shelf units



- ▶ Laminate Or Steel Cabinets



- ▶ Laminate Or Steel Cabinets

Benchmarks Standard Product Key

How it works:

1 2 3 4 5 6 7
FBM483036TBHDWADJMPL

By adding vertical Uni-strut steel channels to the Basix bench, you can create the model known as Benchmark which supports the addition of upper accessories.

1 2 3 4 5 6 7
FBM WW DD HH TB HD W ADJ MPL

BASIX + UNISTRUTS = BENCHMARK

UNISTRUT

Vertical Adjustment
1" Increments

UPPER ACCESORIES

- Upper Shelves
- Cabinets
- Monitor Mounts
- Bin Rails
- Lighting
- Tackable Panels
- Peg Boards
- Roller Bars

1 BENCH TYPE

FBM Benchmark Standard Product

2 DIMENSIONS

WW: Width **DD:** Depth **HH:** Height

3 BENCH TYPE

TB: Typical Bench
IB: Island Bench
CB: Corner Bench

4 STEEL TUBE SIZE

SD: Standard Tube Dimension
(1½" x 1½" Square)
HD: Heavy Duty (2" x 2" Square)

5 CONSTRUCTION METHOD

W: Welded Frame Construction
B: Bolt Together Construction

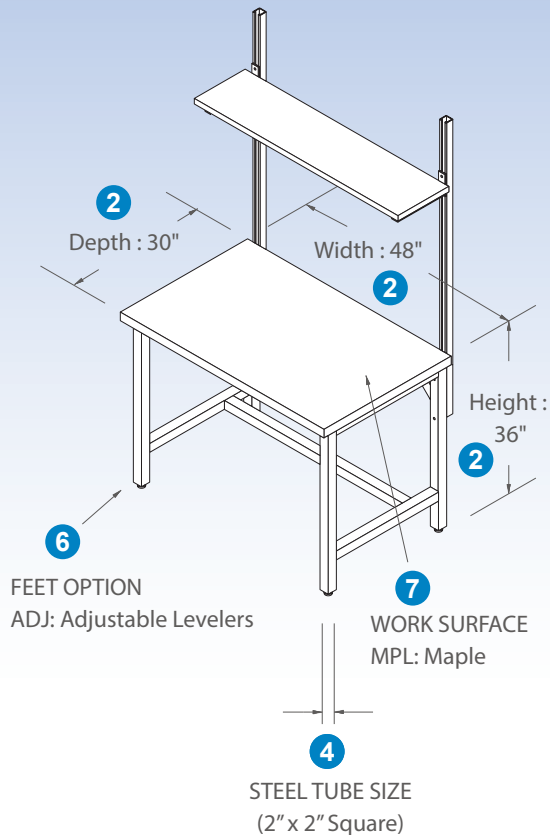
6 FEET OPTIONS

ADJ: Adjustable Levelers
AVL: Anti-Vibration Levelers
LKC: Locking Casters
NKC: Non-Locking Casters
ALC: Adjustable Leveler & Caster Combo

7 WORK SURFACE MATERIAL

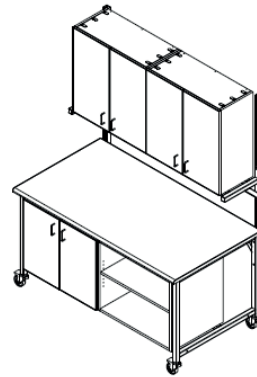
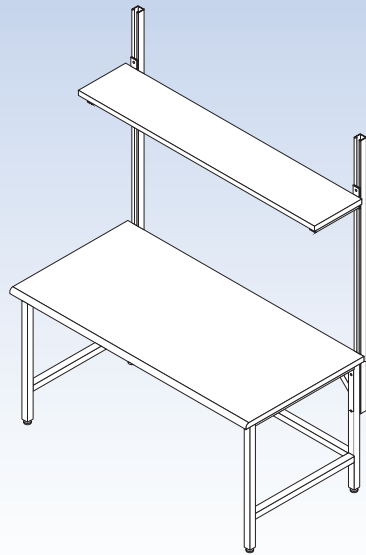
HPL: High Pressure Laminate
PHN: Phenolic Resin
EPX: Epoxy Resin
MPL: Maple
STL: Steel

1 Benchmark Standard Product

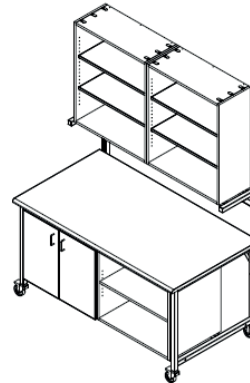


Benchmarks Configuration Examples

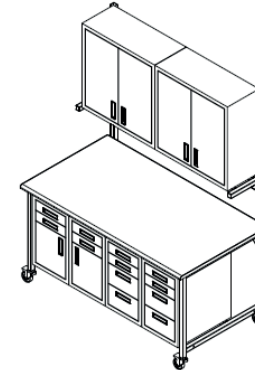
"What can you create?"



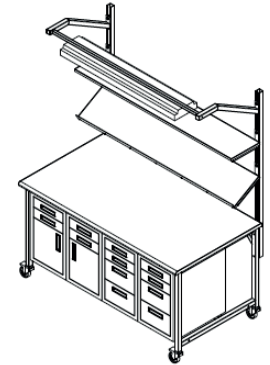
- ▶ Add Upper Cabinets
- ▶ Laminate Or Steel



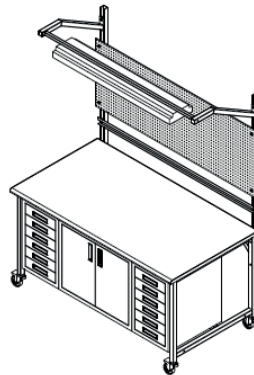
- ▶ Open Shelf or Doors



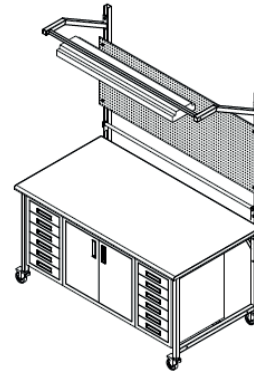
- ▶ Steel Cabinets Shown
- ▶ Upper and Lower



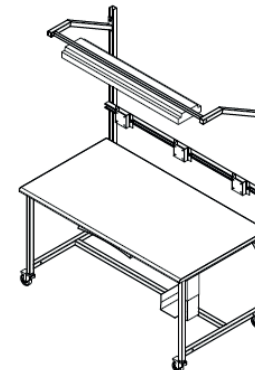
- ▶ Angled Shelves and Overhead Lighting



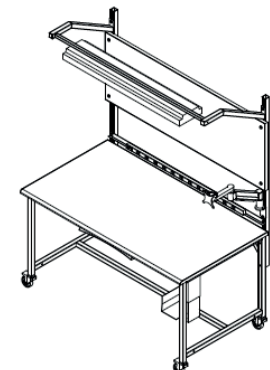
- ▶ Peg board and Bin rail



- ▶ Peg board and roller bar

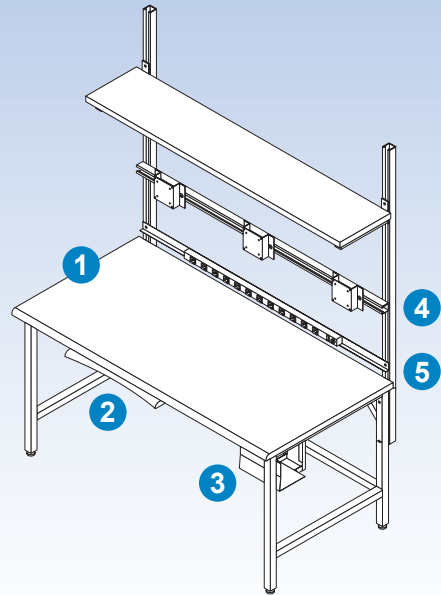


- ▶ Static Monitor Mounts
- ▶ CPU Holder
- ▶ And Overhead Lighting

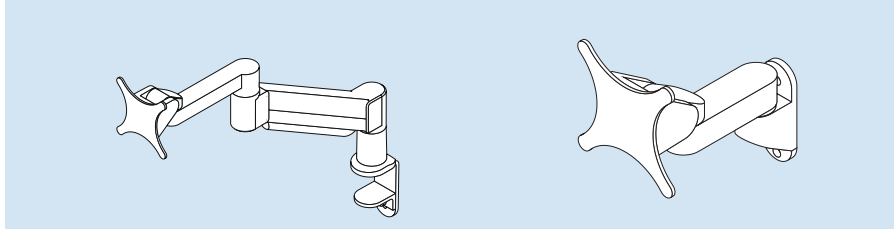


- ▶ Add a tack able panel
- ▶ Post Mounted
- ▶ 7-Flex mount

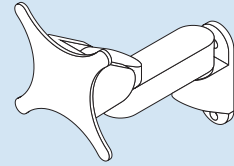
Miscellaneous Accessories



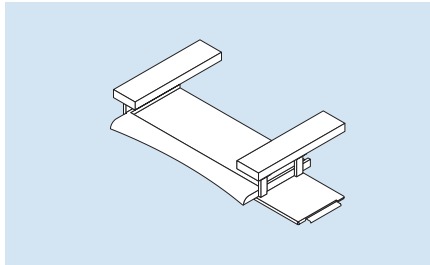
1 7-Flex Articulating Monitor Mount
Clamp on or Uni-strut mounting



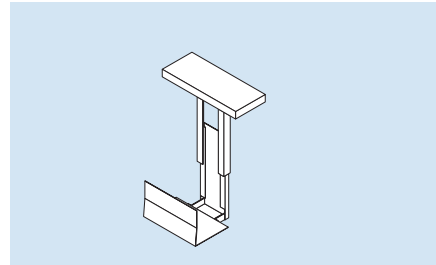
LCD-4 Monitor Mount
Vertical Uni-strut mounting



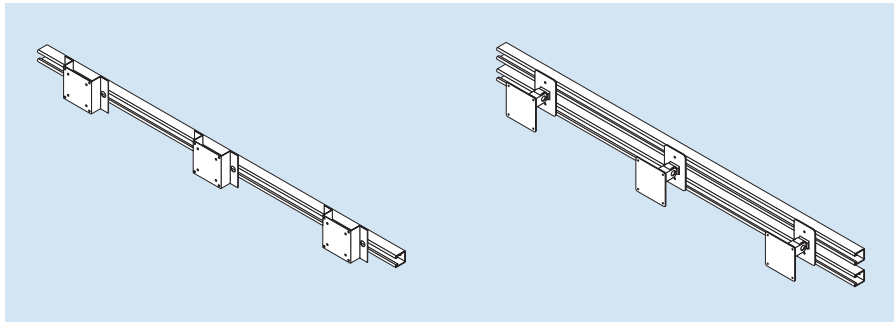
2 Keyboard
(Left, Right, or No mouse extension)



3 CPU Holder
(Left, Right, or Center)



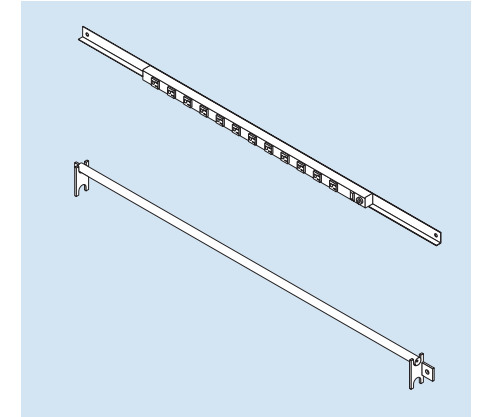
4 Static Monitor Mount(s)
Horizontal Uni-strut mounting



Static Monitor Mount(s)
Horizontal Uni-strut mounting "Heavy Duty"

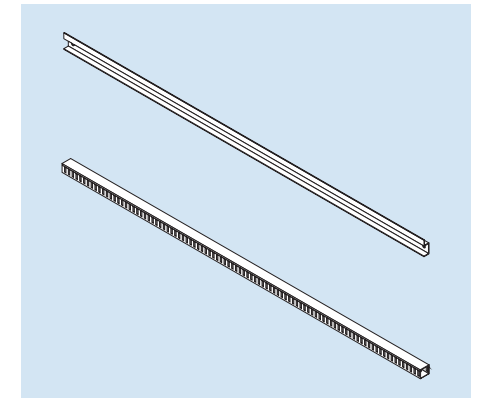
5 Uni-strut mounted Power Strip
Rail: 24" – 96" Width in 6" increment
Power Strip Width: 24", 36" or 48"

Uni-strut mounted Roller Bar
Packing Station Roll Material Holder
24" – 96" Width in 6" increment



Uni-strut mounted Bin Rail
24" – 96" Width in 6" increment

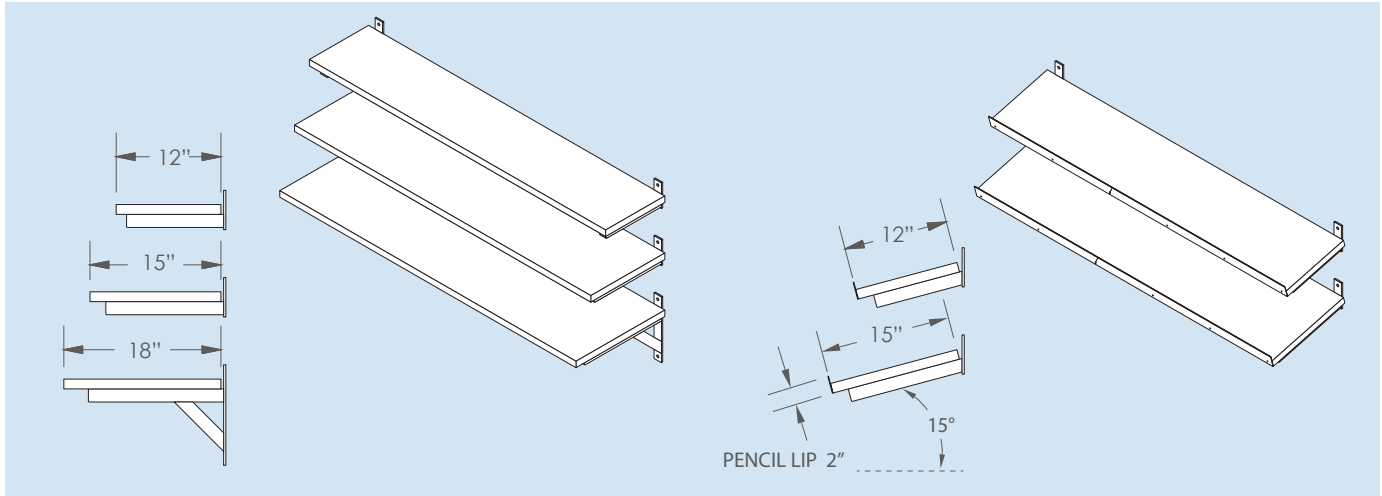
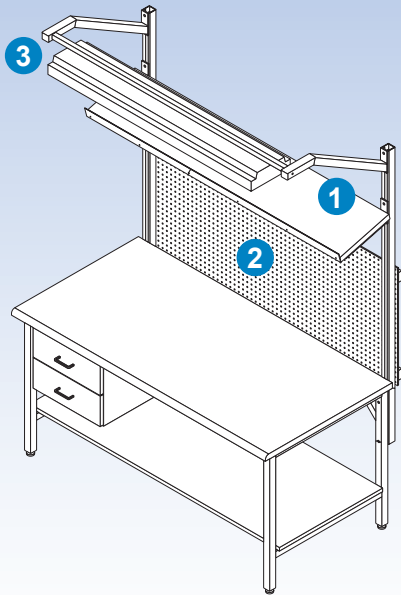
Wire Management Trough
24" – 96" Width in 6" increment



Miscellaneous Accessories

1 Uni-strut mounted Upper Shelves
 Depth: 12", 15" or 18"
 Width: 24" – 96" in 6" increment
 * Pencil Lip Available

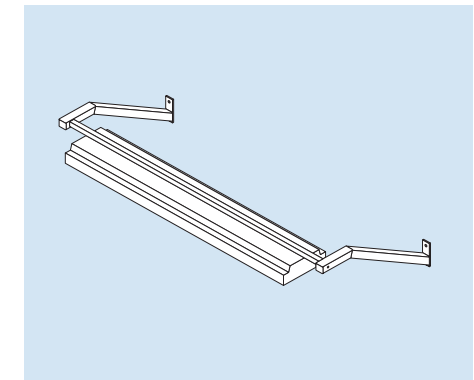
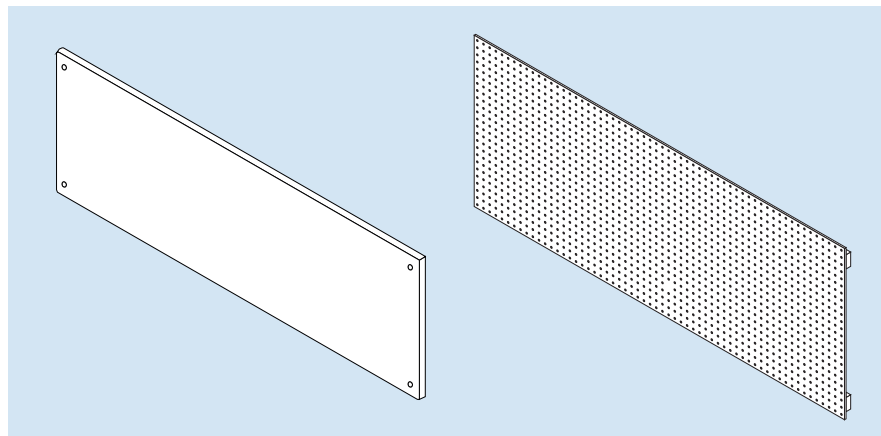
Uni-strut mounted Angled Upper Shelves
 Depth: 12" or 15" with Pencil Lip (1) edge
 Width: 24" – 96" in 6" increment
 Angle: 15°, 30° or 45°



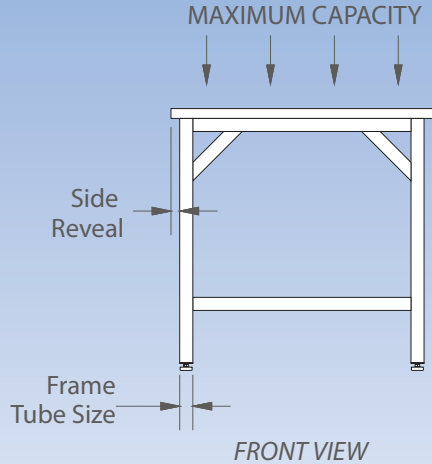
2 Uni-strut mounted Tack able Panel
 24" – 96" Width in 6" increment

Uni-strut mounted Peg Board
 24" – 96" Width in 6" increment

3 Uni-strut mounted Overhead Lighting
 Fluorecent or LED
 Frame: 24" – 96" Width in 6" increment
 Light Width: 24" or 48"



General Bench Details



Work Surface Overhang Details (Reveals):

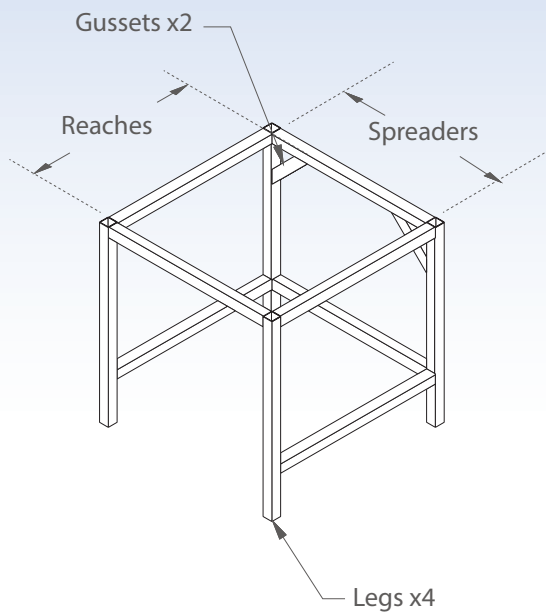
Standard benches have a 2" front face reveal, 1" reveal on each side, and no reveal (flush) on the backside.
Exceptions: If Deavy Duty -HD tubing is used , the front reveal becomes 1" and each side reveal becomes ½", still flush in the back. Island benches will have 1" front and back reveals (½" if HD tubing).

Bench Maximum Loading Capacity:

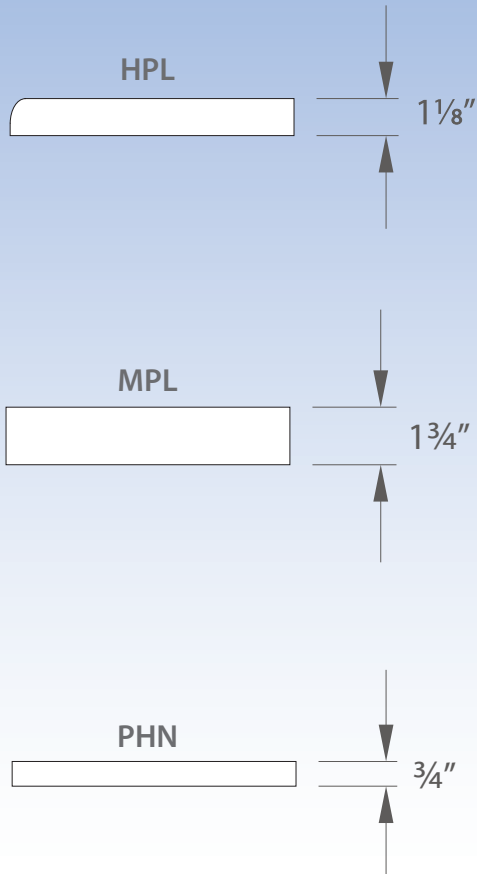
Standard Duty (1½" Square Tube construction) 1000lbs. evenly distributed load.
Heavy Duty (2" Square Tube construction) 1000lbs -1500lbs. depending upon component configuration; i.e.; feet, hydraulics, additional tubing, additional welds, etc.

Bench Frame Construction Details:

Bench frames are weldments of square tube steel.
Legs align with bench height.
Spreaders align with the bench width.
Reaches align with the bench depth.
Gussets are pieces cut at a 45° angle and add support to the top-back of the bench.



Work Surface Options



High-Pressure Laminate Panels

HPL is composed of layers of kraft paper, a single layer of decorative paper with a solid color or design, and finished with a clear protective layer. The HPL is laid over a thick slab of particleboard core. The overall panel thickness is 1 1/8", excluding added thickness from the HPL layers. Susceptible to discoloration and warping if exposed outdoors for extended periods of time.

Maple

1 3/4" thick panels, fully cured and kiln-dried. Butcher-block construction (the bonding of several maple pieces into a single self-supporting solid panel). Edges have a 1/4" radius beveled edge. Maple work surfaces may be refinished by sanding and polishing. Tops are coated with a Durakryl 102 or varnique finish, which is resistant to water, alcohol, detergents, and other solvents. Susceptible to discoloration and warping if exposed outdoors for extended periods of time.

Phenolic Resin

3/4" or 1" thick panels composed of many layers of phenolic-impregnated kraft paper that is saturated with phenolic resin and compressed under extreme heat and pressure to create a thick, durable, color-through, compact laminate. Square "self-edge"

COLOR OPTIONS

Black, Gray, White

Chemical and Water Resistant.

Susceptible to fading if exposed to direct sunlight for extended periods of time.

Work Surface Options

Epoxy Resin

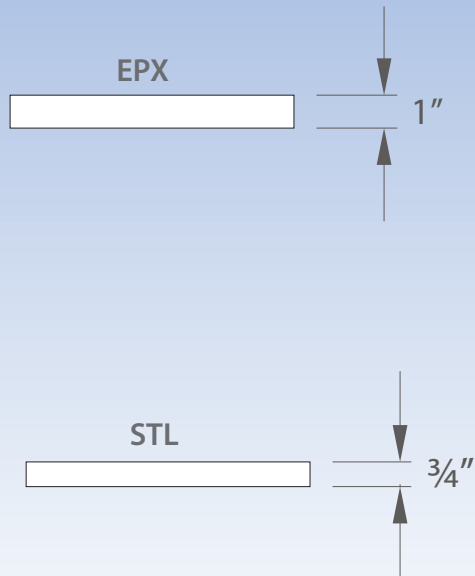
Specification Source: SECTION 12 3653, LABORATORY WORKSURFACES, by DURCON INC. Greenguard certified ¾" or 1" thick sheets cast from modified epoxy resin and nonasbestos inert fillers; compounded mixture cured and thermoset specifically from formulation to provide exceptional physical and chemical resistance required in medium to heavy duty laboratory environments.

COLOR OPTIONS

Black, Gray*, Graphite*, White*

*additional costs

Steel



Care & Maintenance:

The use of harsh abrasives to clean the work surface is NOT recommended. Things like scrubbing pads or powdered cleaning agents should be avoided because they may damage the non-porous surface.

The safest and easiest way to clean a work surface is to use a soft towel, such as a chamois cloth, and a mild cleaning agent, like Simple Green. For the best results over the life of your work surface, cleaning spills as they occur and limiting its time of exposure will prove all that is required to keep the surface finish looking factory new.

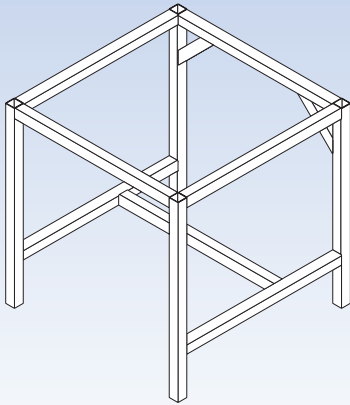
Physical properties; minimum acceptable physical performance in accordance with SEFA 3 testing procedures: Specific test results available upon request.

Frame Options

Square Tube steel (Electric Resistance Welded tube):

16ga x 1½" x 1½" HRPO (Hot Rolled, Pickled and Oiled) 1008/2010 steel
16ga x 2½" x 2" HRPO 1008/2010 steel

Bead welded at each joint unless a bolt-secured spreader is specified or necessary.



Inserts:

For SD 1½" x 1½" : Metal Threaded Adapter w/ Round Clip – 18GA thickness, ⅜"-16 thread.

For HD 2" x 2" : Heavy Duty Welded Insert - ¼" thickness, ⅜"-16 thread, bead-welded to the inside.

Surface Finish:

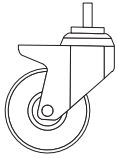
Powder Coated Paint

Electrostatic (4) stage heat-cured process

Care & Maintenance:

Mild laundry detergent or a mixture using 5% of a commonly used commercial/industrial detergent and water will clean the painted metal surfaces without negatively affecting the frame. All cleaners should be rinsed thoroughly and dried with a soft cloth.

Feet and Other Adjustability



Bench Feet:

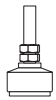
Casters: ½"-13 threaded stem, steel ball bearing, 300lbs ea. load rating, total locking (swivel & wheel)



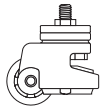
Adjustable Levelers:

Type: ½"-13 threaded stem, 500lbs. ea. load rating.

Available on both SD & HD Frames



Heavy Duty Anti-Vibration Levelers: ½"-13 threaded stem, 15 degree swivel, 500lbs. ea. load rating.



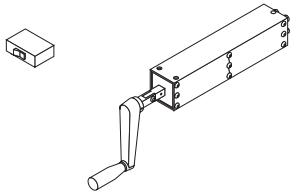
Caster/Leveler Combo

Hydraulic Lift (6" or 12" range):

Four synchronized lifting cylinders, Manual crank with retractable handle, 1000lbs. maximum capacity, rechargeable/refillable capability.

Options: Manual, Electric or 6-post.

Zero maintenance required.



Adjustable Leg Kit:

Adjustable leg kits contain leg inserts with 13 threaded holes for ¾" diameter bolts, two of which are used to secure each leg. This provides of 11" of height adjustment, set at increments of 1".

Adjustable Leg Kit, 16GA, 1¼ x 1¼ x 16.63, ¾"-16 threaded insert if attached to adjustable levelers, ½"-13 otherwise. Set of 4.

Adjustable Leg Kit, 11GA, 1¾ x 1¾ x 16.63, ½"-13 threaded insert. Set of 4.

