

## LOCK OPTIONS

STANDARD WAIST  
HIGH PLUNGER LOCK



LOW PROFILE WAIST  
HIGH CAM LOCK



WAIST HIGH CODE LOCK



LOW PROFILE LOCKING  
BOTTOM SLAT



HEAVY DUTY LOCKING  
BOTTOM SLAT



PADLOCK HASPS

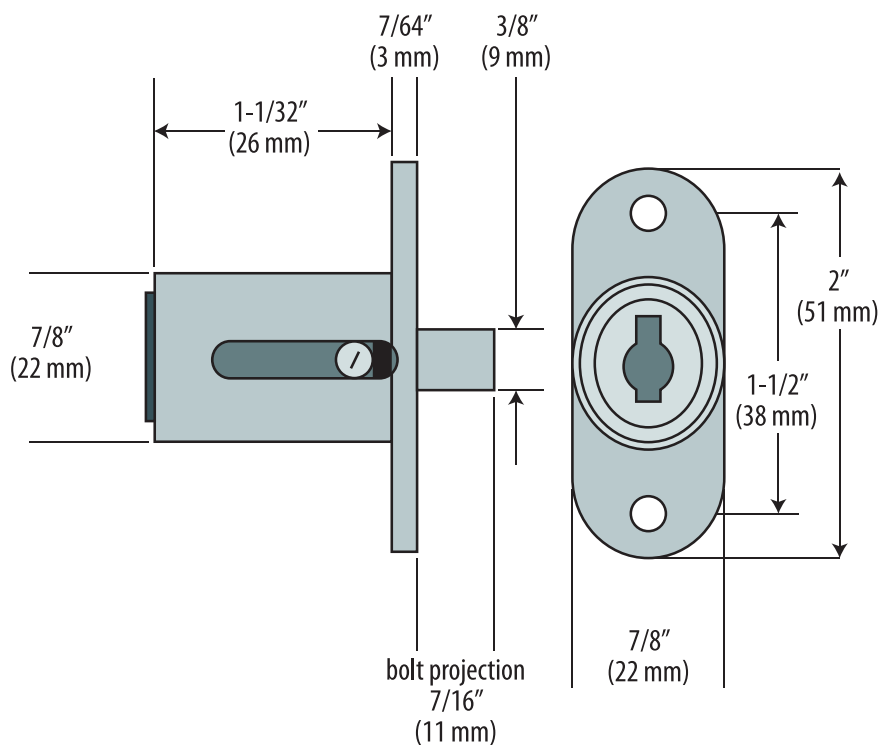


SLIDE BOLTS



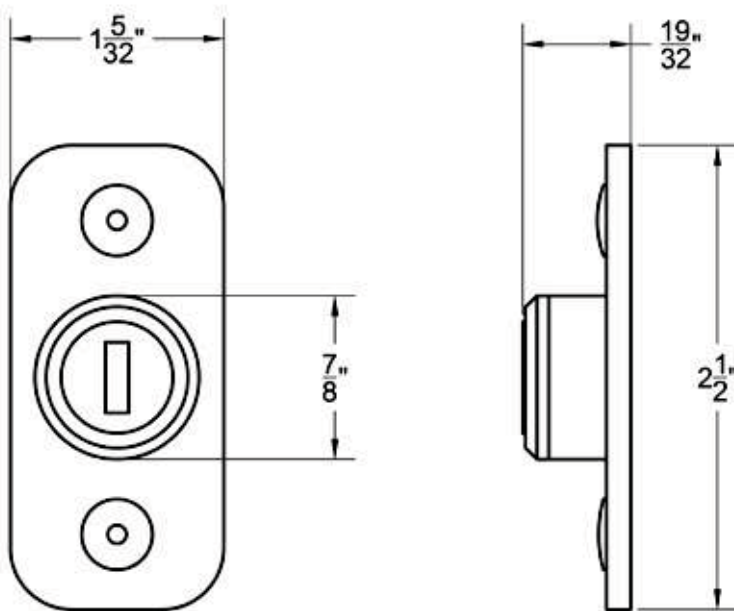
# STANDARD PLUNGER LOCK WITH REMOVABLE CORE

- Lock depth from front of guide is 1.125" in locked position, 1.625 in open position
- Plunger locks are located 36" up from finished floor
- Doors can be keyed alike, keyed different, or keyed in groups
- 2 keys per lock
- Master keys are available
- Core removal keys and additional cores are available
- 1 plunger lock on right side when shelving is under 110" wide
- 2 plunger locks (one each on left and right side) when shelving is over 110" wide



# LOW PROFILE WAIST HIGH CAM LOCK

- Lock depth from front of guide is .625"
- Cam locks are located 36" up from finished floor
- Doors can be keyed alike, keyed different, or keyed in groups
- 2 keys per lock
- Master keys are available
- Core removal keys and additional cores are available
- 1 cam lock on right side when shelving is under 110" wide
- 2 cam locks (one each on left and right side) when shelving is over 110" wide

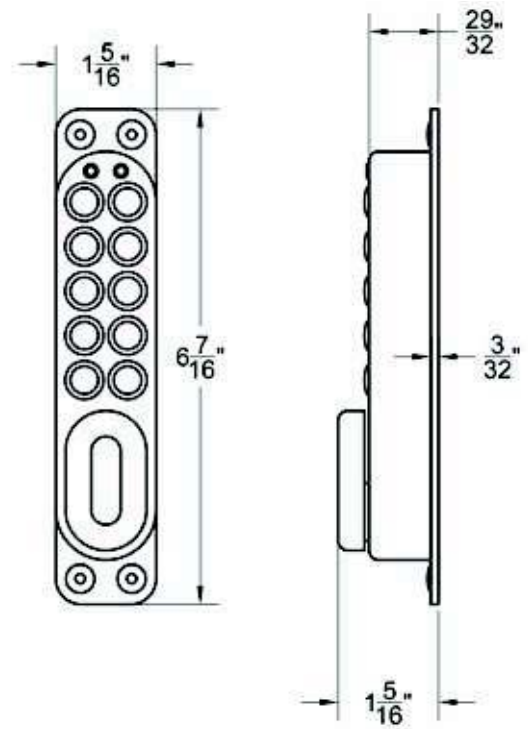


**\*Note:** The reduced depth of this lock is great for mobile applications



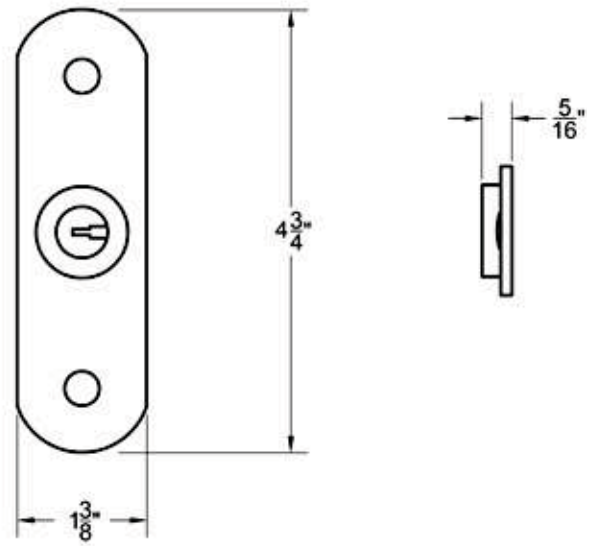
# CODE LOCK KEYPAD

- Lock depth from front of guide is 1.3125"
- Code lock keypads are at 36" up from finished floor
- 4-pin access for spring assisted doors
- Simple keyless locking operation
- Can be put in locker mode



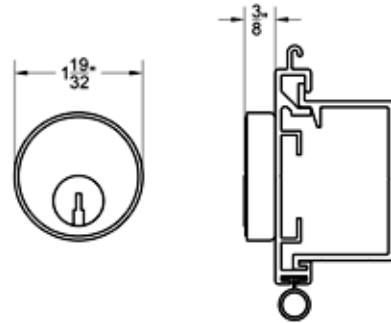
# LOW PROFILE LOCKING BOTTOM SLAT

- Lock depth is 0.3125"
- Key lock with bars built into the doors bottom slat
- Provides higher security than plunger lock
- Doors can be keyed alike, or keyed differently
- Each lock comes with 2 keys
- Lock can be operable from both front and back of door
- Non-removable core



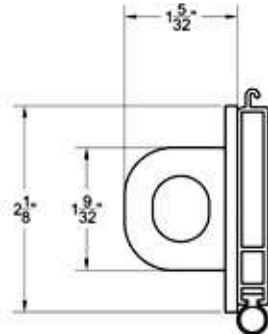
# HEAVY DUTY LOCKING BOTTOM SLAT

- Mortise cylinder key lock built into the door's bottom slat
- Core can be removed to rekey
- Highest security key lock available
- Multiple doors can be keyed alike or different



## PADLOCK HASPS

- A pair of padlock hasps added to the doors bottom slat and guide rail, on both the right and left side.



- Door locked with customer provided padlock



## SLIDE BOLT

- Slide bolts built into the door's bottom slat
- Can be used for counter door applications

