

SPACESAVER PISTOL RACKS

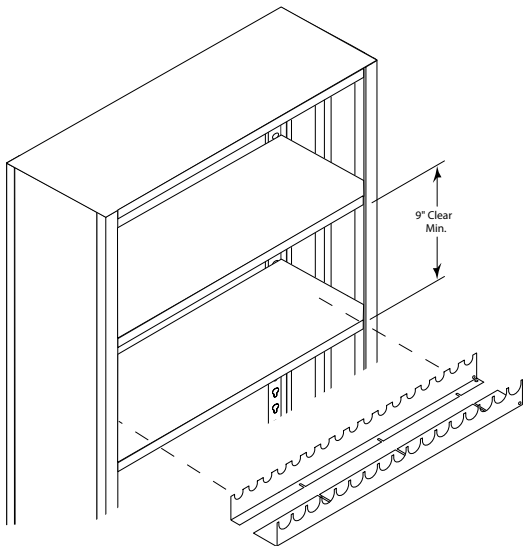
ACCESSORIES FOR WEAPONS STORAGE.



Spacesaver adjustable Pistol Racks are designed for organized HIGH DENSITY HANDGUN STORAGE. Racks mount directly to Spacesaver shelves and can be incorporated into a complete evidence or armory storage room solution.

BENEFITS

- Maximizes storage capacity.
- Weapons are easy to retrieve and identify.
- Vinyl coated contact areas protect handgun surfaces.
- Two piece design allows for flexibility in rack placement.
- Accommodates most handguns within a single unit.
- Security options available on shelving and mobile storage systems.



CATALOG NO.	PISTOLS PER RACK	SIZE			WEIGHT (LBS.)
		WIDTH	DEPTH	HEIGHT	
PR30	12	30	6	4.5	10.0
PR36	14	36	6	4.5	12.0
PR47	17	42	6	4.5	13.8
PR48	20	48	6	4.5	16.0

* Rack dimensions are nominal. All racks can be mounted to case-type or 4-Post shelves.

* Available only in powder-coat black.



SOUTHWEST SOLUTIONS GROUP

business organization systems

www.southwestsolutions.com

Toll Free 1-800-803-1083