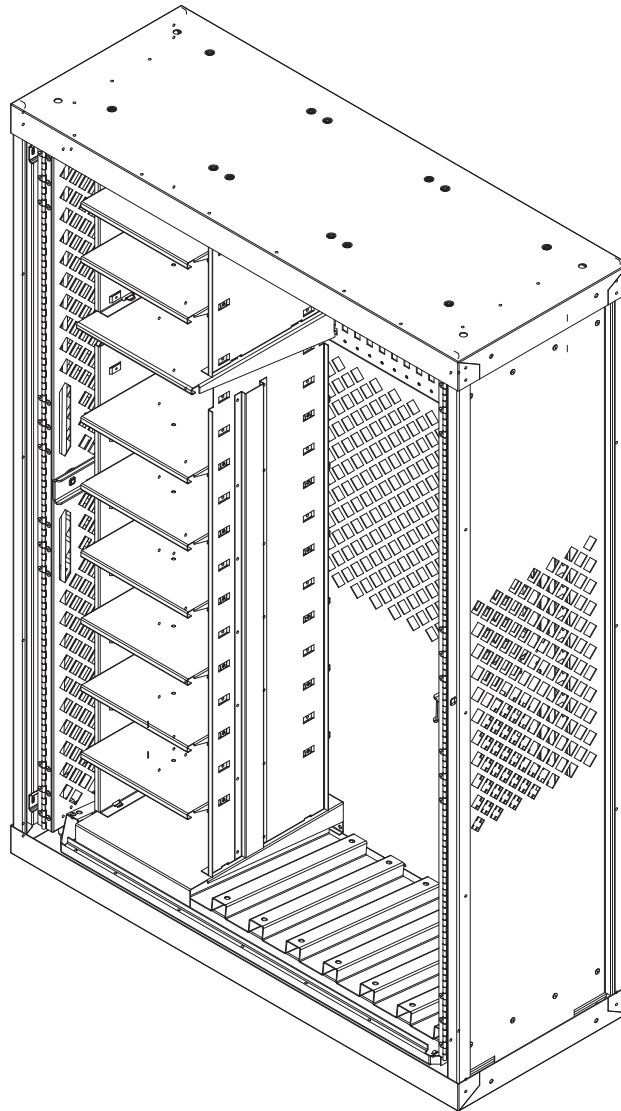


Installation Instructions

Universal Weapons Rack

Required tools include:

- Dead Blow Rubber Mallet
- Measuring Rule or Tape



IMPORTANT! If you require assistance, or if there are parts missing, please contact Spacesaver at:
1-877-274-3043
fax: 1-877-274-3044 • email: info@spacesaver.com
visit our website: www.spacesaver.com

⚠ Warning

Failure to follow the instructions in this booklet may result in property damage and serious injury.

Table of Contents

Safety and Pre-Installation	2
Sample Cabinet Configurations	2
Assembly	3-7
Operation	7
Parts List	8
Optional Accessories	10
Cart Assembly– UWRCART	10
Handle Assembly - UWR4HK	10
Overstorage Cabinets	11
<i>Cabinet Mounting</i>	11
<i>Assembly-UWRBINFL10</i>	12
<i>Assembly-</i>	
<i>UWRBIN23OS18 & UWRBIN13OS18</i>	13
UWRCXXXXBP - Back Panels	14/15
Programmed Configurations	
UWRM2T	16
UWRM16T (M4)	17
UWRM16T (M16)	18
UWRM240BT	19
UWRM240HT	20
UWRM249T	21
UWRMK19T	22
High Density Configuration	
UWR12M16R26	23
UWR12M16R34	24
UWR12M16R112	25
UWR12M16R112	26
UWR15M16R35	27
UWR15MK16R35	28
84" Configuration Kit	
UWR8410	29
UWR841226	30
UWR841234	31
UWR841535	32

Safety and Pre-Installation

Before you begin installation:

1. Read through the assembly procedure before starting the project.
2. Understand all safety statements.
3. Use the Sample Bin Configurations below to plan your weapon layout and determine height and mounting location of the cabinet components.
3. Make sure your system will fit within the desired location.
4. Plan to assemble the system where it will be used. Make sure location is clean and flat.
5. Have the necessary tools for assembling the unit.
6. Use of safety glasses and gloves is recommended. (Certain parts may have sharp edges.)

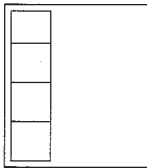
Warning

- The weapon storage system should only be affixed to a flat surface.
- Assembled units must rest on flat surface for proper stability.
- Never climb on the system. The system is not designed or intended to be used as a climbing surface.
- Distribute weight evenly.
- Do not overload the system. Each shelf has an evenly distributed 50 lb. per linear ft. maximum capacity limit.
- Items that are unstable, that may roll, slide or cause personal injury, should be stored in a manner that will remain secure during operation.
- Each unit is designed for loads within the framework of the unit itself.

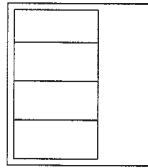
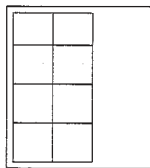
Sample Bin Configurations

*NOTE: Overstorage Cabinet adds 18" to cabinet height.
Cart Assembly adds 6.8" to cabinet height.*

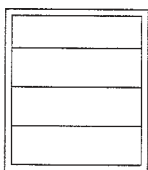
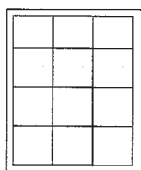
Standard Height Cabinets (45")



1/3 wide Vertical Bin Storage configuration occupies 1/3 of the cabinet from left to right.



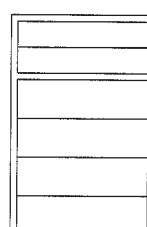
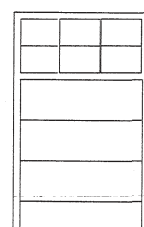
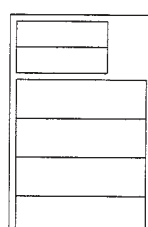
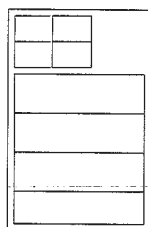
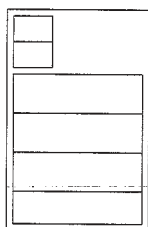
2/3 wide Vertical Bin Storage configuration occupies 2/3 of the cabinet from left to right. May have two sets of single shelves or 2/3 wide shelves minus the center panels.



Full width Vertical Bin Storage configuration occupies full width of the cabinet. May have three sets of single shelves or full width shelves minus the center panels.

Tall Cabinets (61")

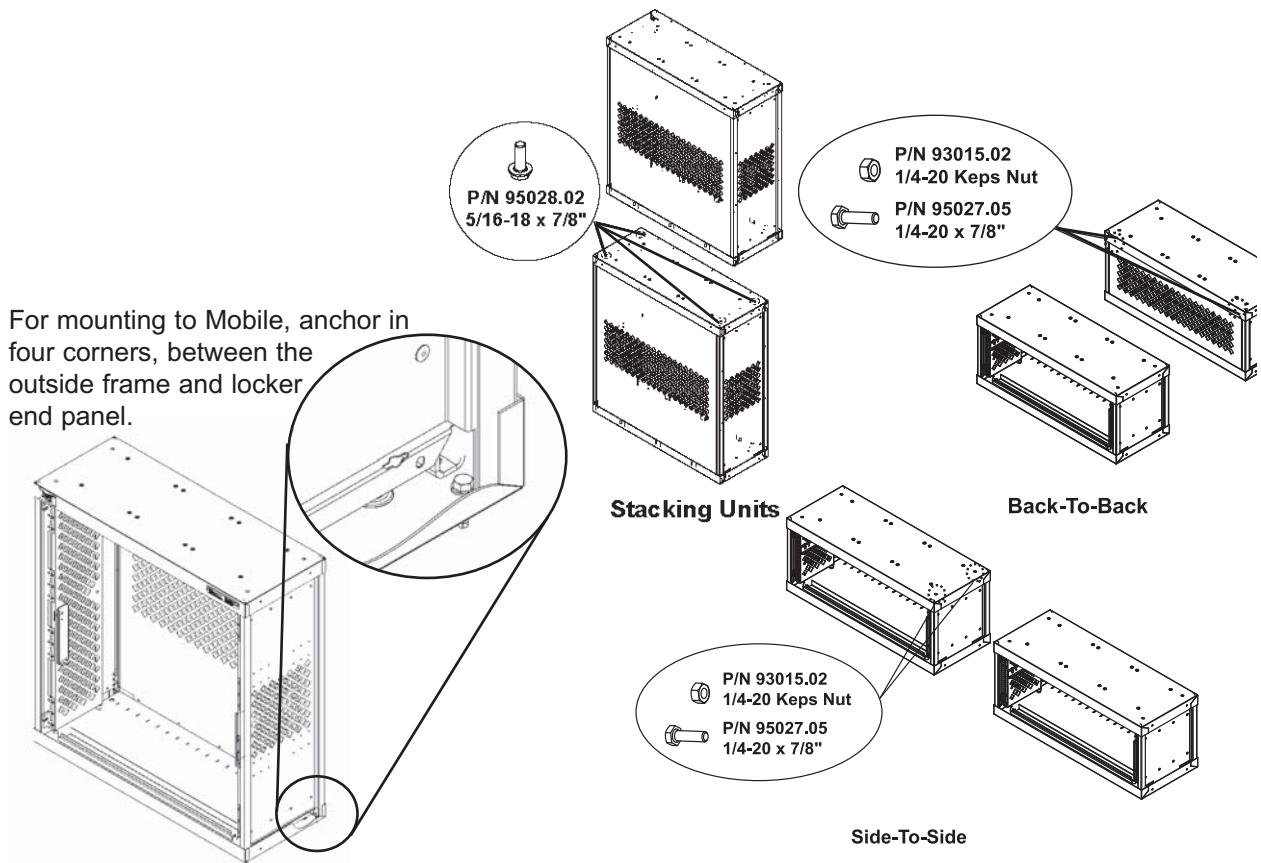
Lower Vertical Bin Storage configurations are the same as above. Upper Horizontal bins are added to fill the space gained by the taller cabinet and may be configured with 1/3, 2/3 or full width shelves.



Assembly

Multiple Cabinets

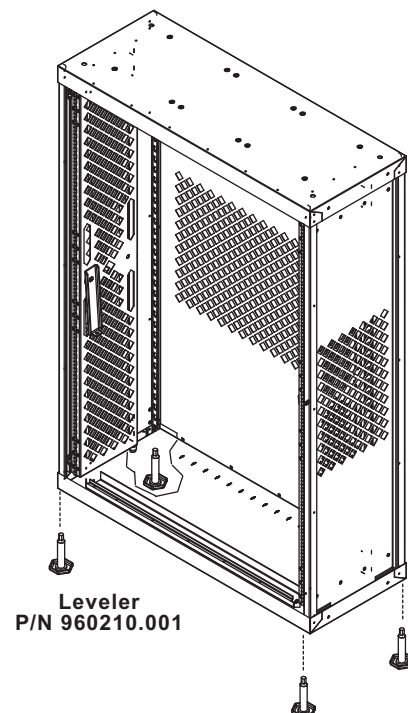
Cabinets may be ganged together or stacked and secured with hardware (included), and placed on high-density mobile systems. Use appropriate hardware, in each corner, per local codes when mounting to mobile systems.



Levelers

Levelers if needed for unlevel surface, should be installed prior to assembly. If levelers are not used, cabinet should be placed on level surface.

The levelers screw into holes located on the bottom of the cabinet at each corner.



Assembly

Base

Insert bottom hooks on base into front slot in cabinet and drop back in place.

Universal Base

Insert bottom hooks on base into front slot in cabinet and drop back in place. Universal base must be mounted to the cabinet into the holes at rear of base with tek screws (included).

Stock Cups

The stock cups are placed into the universal base by inserting the carriage bolt head through the round portion of the key-hole slot. The stock cup may then slide into the slot. Once in the correct position, turn the wing nut to secure in place. Two stock cups (one in front and one in back) are required for each weapon for transport. See below for cup placement examples.

NOTE: Special stock cups for large/heavy weapons also exist. For these weapons 1 or 2 stock cups may be used depending upon the weapon type. See parts list for examples.

Stock Cup Placement Guide

For even placement of stock cups using standard weapon stocks, use the following slot locations:

10 weapons: Use slots 1, 4, 7, 10, 13, 16, 19, 22, 25 and 28

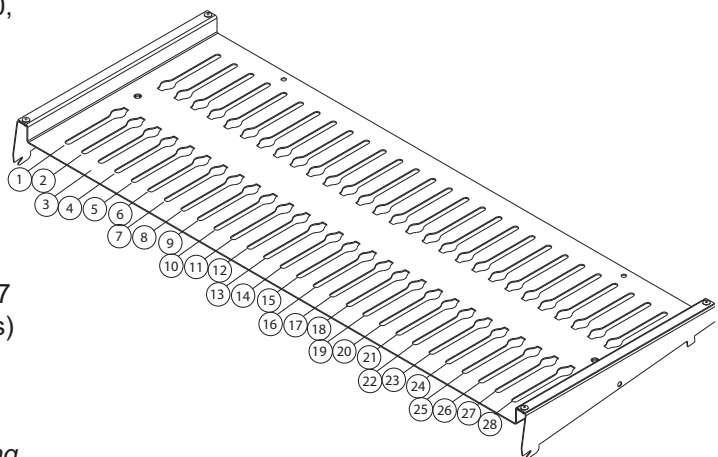
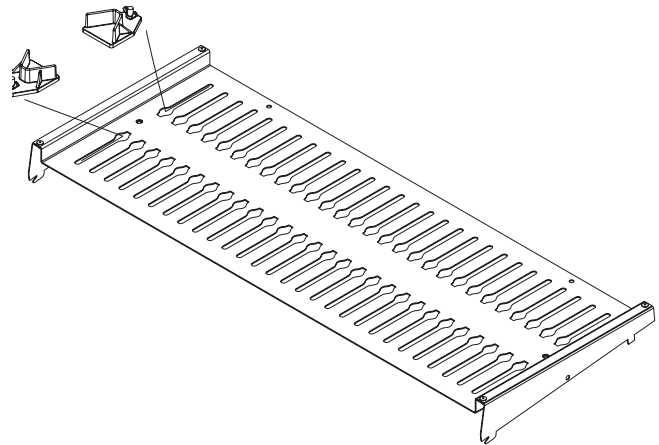
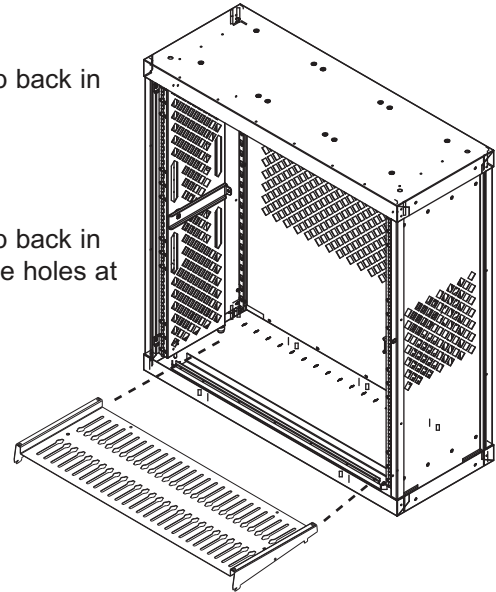
9 weapons: Use slots 2, 5, 8, 11, 14, 17, 20, 23 and 26

8 weapons: Use slots 1, 5, 9, 13, 17, 21, 25 and 28

7 weapons: Use slots 2, 6, 10, 14, 18, 22 and 26

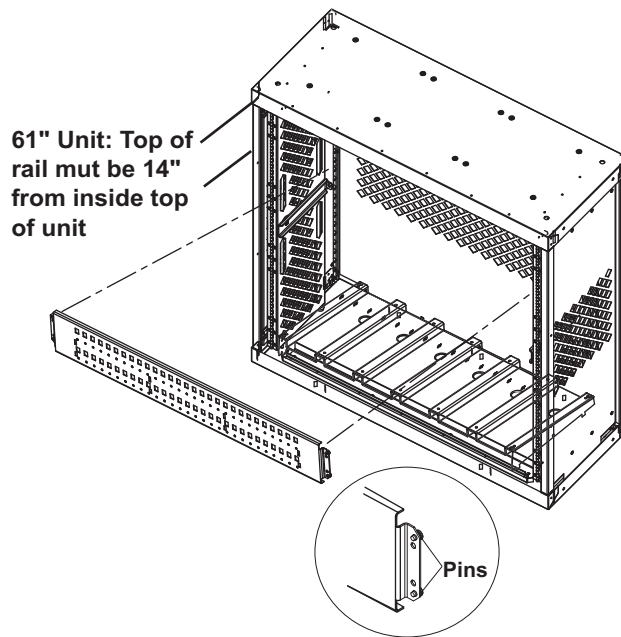
6 weapons: Use slots 2, 7, 12, 17, 22 and 27 (ie. M60s) or 1,6,11,18, 21 and 26 (ie. M249s)

NOTE: These are guidelines for standard weapons without gear/optics attached. Weapons with optics attached, side charging handles, non-standard stocks, spade grips, etc., may require an adjustment in spacing.



Assembly

Support Rail



NOTE: The number of support rails installed and position will vary depending on cabinet height and type of weapons to be stored.

If installing Horizontal Bin Storage shelves in 61" unit, the top rail should be 14" from the underside of the top of cabinet to the top of the rail.

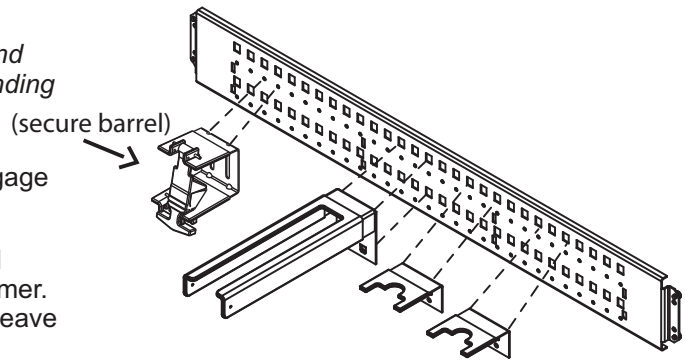
1. Install the topmost support rail into the cabinet. The support rail pins must engage the keyhole slots located at the rear of the cabinet on the corner posts. Use a soft dead blow hammer to drive pins into place.
2. Repeat for any other support rails. Space additional rails accordingly.

NOTE: When used for transport, the heavy duty support rail is required.

Barrel Rest(s)

NOTE: The number of barrel rests installed and location on support rail will vary depending on type of weapons to be stored.

1. Barrel rests are equipped with tabs that engage slots on the support rail.
2. Place barrel rest in the desired location and drive tab into slot using soft face dead hammer. If installing Bin Storage system, be sure to leave room for installation.



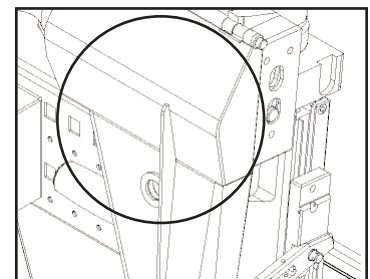
NOTE: Barrel rest may be fastened in to the support rail with self-tapping screws (supplied) if desired. It is recommended to use a power tool when installing the self-tapping screws.

Secure Barrel Support (Transportability)

1. Barrel Supports have 1 1/2" long slots that line up with the holes on the support rail (not the square slots).
2. Place barrel support in the desired location and fasten onto support rail with self-tapping screws (supplied). Do not tighten until adjusted for weapon height. It is recommended to use a power tool when installing the self-tapping screws.
3. Align the top (cap) of the barrel support with the top of the weapon barrel. Tighten the screws.

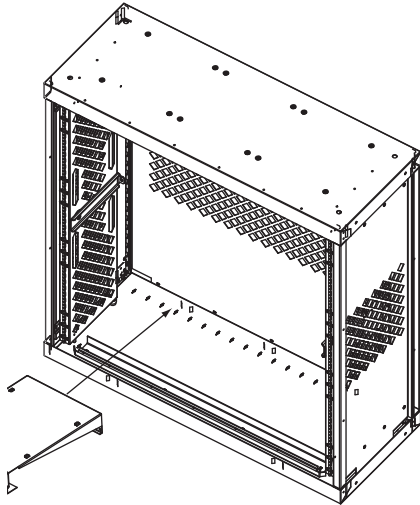
Receiver Mounts (Transportability)

1. Receiver Mounts have 1 1/2" long slots that line up with the holes on the support rail (not the square slots).
2. Place receiver mount in the desired location and fasten onto support rail with self-tapping screws (supplied). Do not tighten until adjusted for weapon height. It is recommended to use a power tool when installing the self-tapping screws.



Assembly

Bin Storage



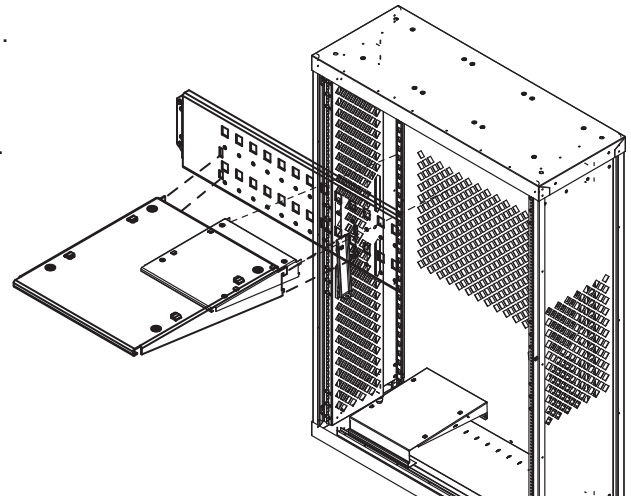
NOTE: To install Vertical Bin Storage unit in 61" cabinet, the Horizontal Bin unit is required (see page 6).

1. Install the vertical bin base to the bottom of the cabinet.
2. The front of the base locks under the front lip of the cabinet. The rear of the base rests on the rear floor of the cabinet.

NOTE: If the cabinet will also house weapons, the butt plate will be factory installed.

3. **61" units:** Install the top shelf to the support rail. The tabs at the rear of the shelf engage the square slots in the support rail.

45" units: These units do not use a support rail. The vertical walls align over pins in the underside of the cabinet top.



4. Install the vertical walls so the reinforcement rail faces away from the shelves.

Top of vertical wall has holes for engaging pins located on underside of top shelf (61" unit) or underside of cabinet top (45" unit).

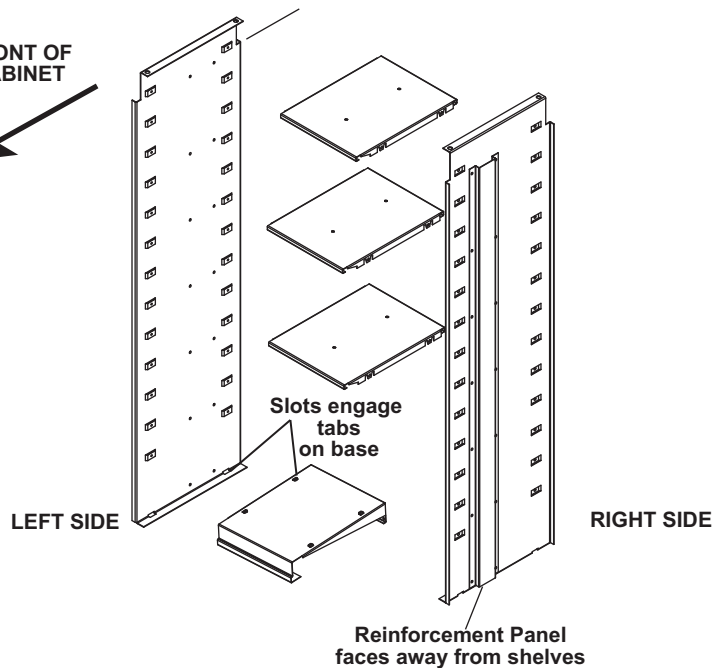
Bottom of vertical wall has slots for engaging tabs located on top of base.

Engage the top of the vertical wall first, then slide the bottom into the tabs.

5. Install middle shelves to vertical walls. Middle shelves have tabs on the side to engage vertical wall slots.

Holes on vertical wall engage pins on underside of top shelf (61" unit) or underside of cabinet top (45" unit).

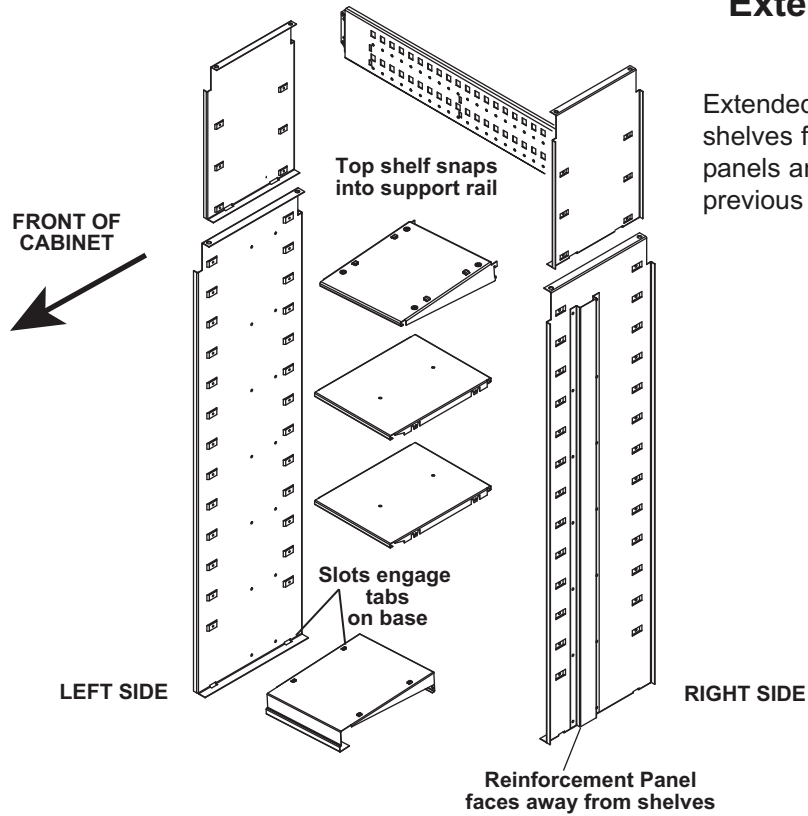
FRONT OF CABINET



Assembly

Extended Bin Side Panels for Tall Cabinets

Extended bin side panels and additional shelves for tall cabinets install just like side panels and shelves installed in the previous step.

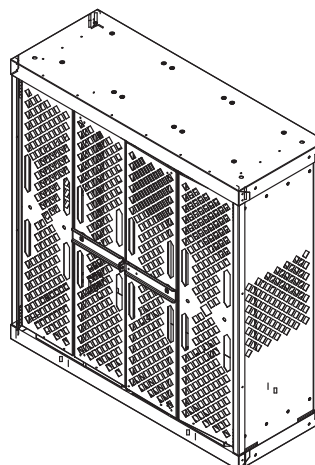
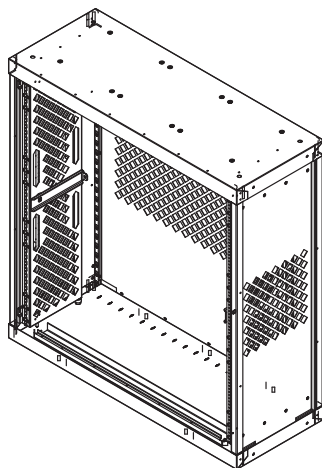


Operation

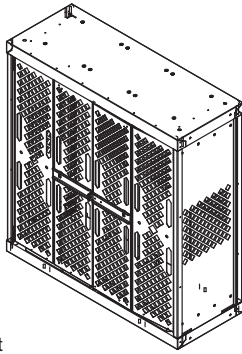
Lockable Sliding Doors

The unit is equipped with folding bifold mesh doors and bars that can be locked for security.

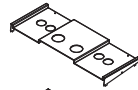
The doors fold to the side and then slide into the cabinet for easy access.



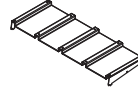
Parts List



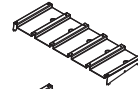
Cabinet
 45" P/N UWRC4245 (H)
 61" P/N UWRC4261 (H)
 18" P/N UWRCOS18 (H)
 34" P/N UWRCOS34 (H)
 The "H" denotes handles (factory installed)



P/N UWRB2



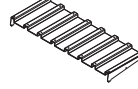
P/N UWRB4



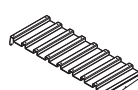
P/N UWRB5



P/N UWRB6



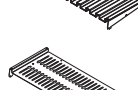
P/N UWRB7



P/N UWRB8



P/N UWRB10



P/N UWRBU

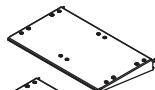


P/N UWRBSC

Bases



1/3 width
P/N UWRBINHBS13



2/3 width
P/N UWRBINHBS23

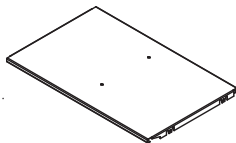


Full width
P/N UWRBINHBSFL

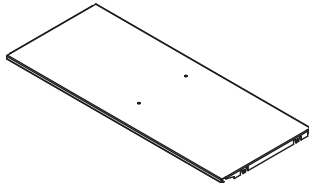
Horizontal Bases



P/N UWRBINS13

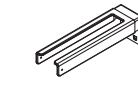


P/N UWRBINS23

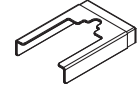


P/N UWRBINSFL

Shelves



P/N UWRSEBM2



P/N UWRBEWB



P/N UWRSSB

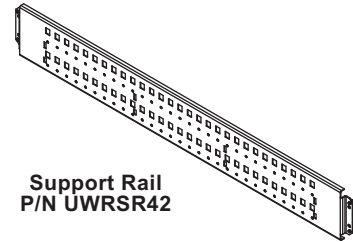


P/N UWRSP

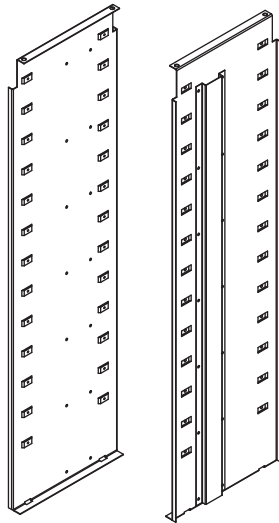


P/N UWRSWB

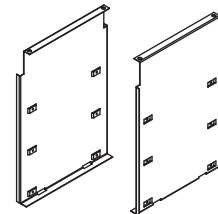
Barrel Supports



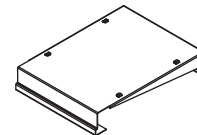
Support Rail
P/N UWRSR42



Vertical Bin Wall
P/N UWRBINVW



Horizontal Bin Wall
P/N UWRBINHW



Vertical Base
P/N UWRBINVBS



Leveler
P/N 960210.001



Bolt
5/16-18 X 7/8
P/N 95028.02



Self-tapping Screw
1/4-20 x 1/2"
P/N 950086.001



Bolt
1/4-20 X 7/8
P/N 95027.02

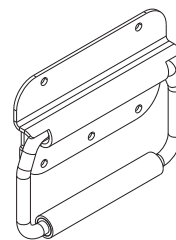


Keps Nut
1/4-20 X 7/8
P/N 93015.02

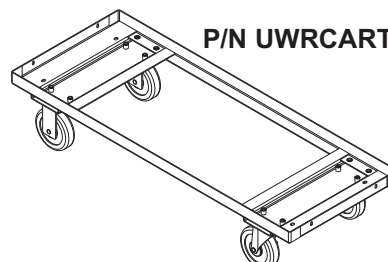


Rivet (for handle install)
.188 x .126 - .250 grip
P/N 88013.01

Hardware

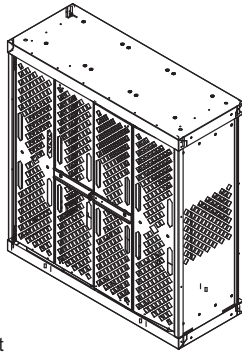


P/N UWR4HK
Handle Kit
(Set of 4)

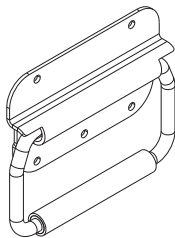


P/N UWRCART

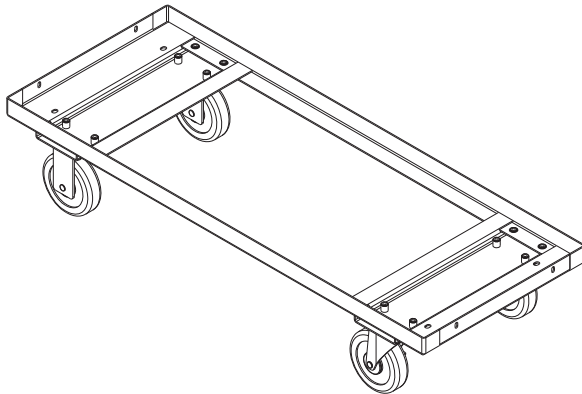
Parts List (Transport)



Cabinet
 45" P/N UWRC4245 (H)
 61" P/N UWRC4261 (H)
 18" P/N UWRCOS18 (H)
 34" P/N UWRCOS34 (H)
 The "H" denotes handles (factory installed)

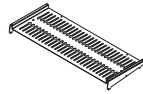


P/N UWR4HK
 Handle Kit
 (Set of 4)

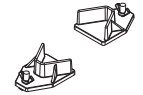


P/N UWRCART

Base & Stock Cups



P/N UWRBU



P/N UWRBSC



P/N UWRBM2BRLCP



P/N UWRBM240BSC



P/N UWRBMK19SC

Barrel Supports



P/N UWRSTL



P/N UWRSM2SPBRL



P/N UWRSTS



P/N UWRSMK19MZL

Receiver Mounts



P/N UWRSMRM2

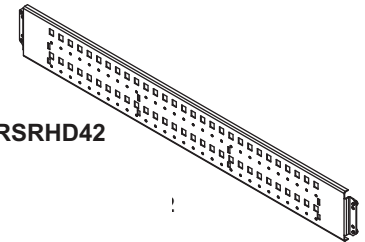


P/N UWRSMRMK19



P/N UWRSMRM240B

Support Rail



P/N UWRSRHD42

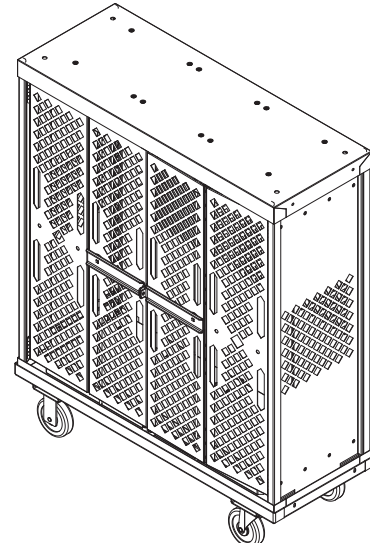
Optional Accessories

Cart Assembly–UWRCART (Optional Accessory)

Cart Assembly adds 6.8" to cabinet height.
(shown mounted on 61" Universal Weapons Rack)

1. Attach the castors to the cart using 5/16-.3/4" serrated flange bolts supplied (qty. 16, 4 per castor).
2. Attach the cabinet to the cart using 5/16-7/8" serrated flange bolts supplied (qty. 4).

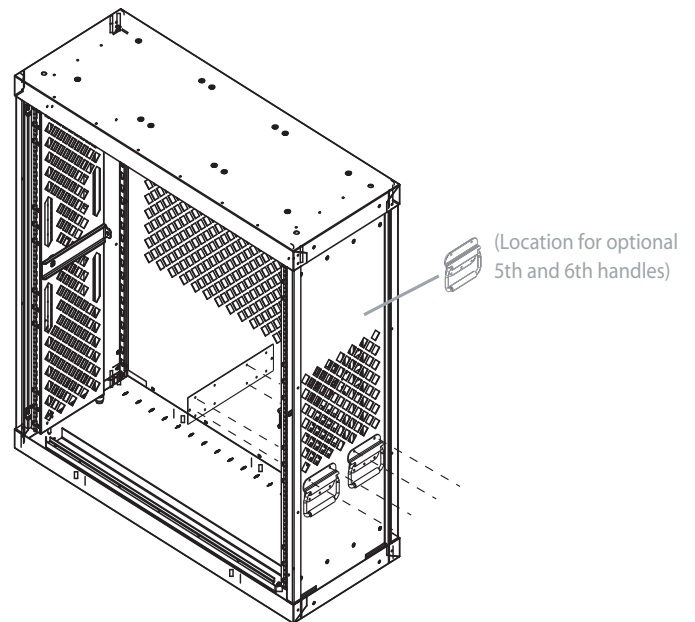
NOTE: Do not use the 7/8" bolts to attach castors to cart. Bolts are too long and will interfere with cabinet bottom.



Handle Assembly for Field Installation - UWR4HK (4 handles/kit)

1. Door will need to be pulled out from cabinet frame for installation.
2. Align the 2 backer plates on the inside of the cabinet, to the holes located on the side of the cabinet directly below the square perforations.
3. Align a handle to the holes located on the outside of the cabinet.
4. Use rivets (included) to attach the handle and backer plate to the cabinet.
5. Repeat for the second handle on the same side.
6. Install handles in the other side of the cabinet same as above.

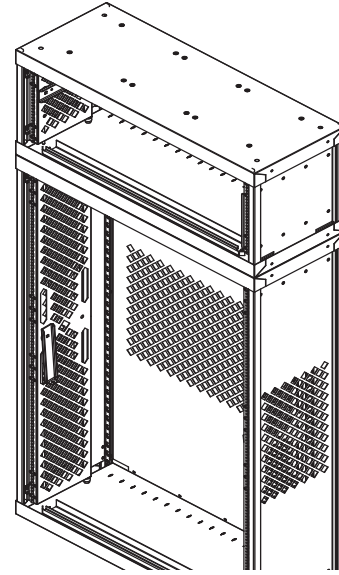
Note: For earlier cabinets without holes for handles, use the backerplate as a drill template.



Optional Accessories

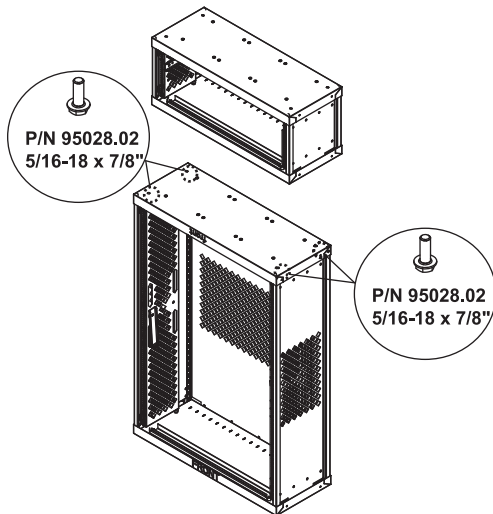
Overstorage Cabinet

Standard Overstorage Cabinet is 18" tall.
(shown mounted on 61" Universal Weapons Rack)

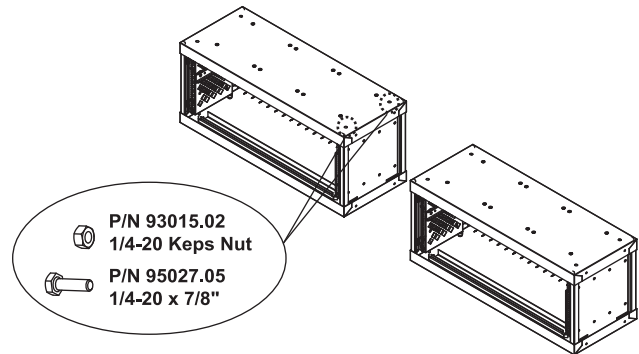


Cabinet Mounting

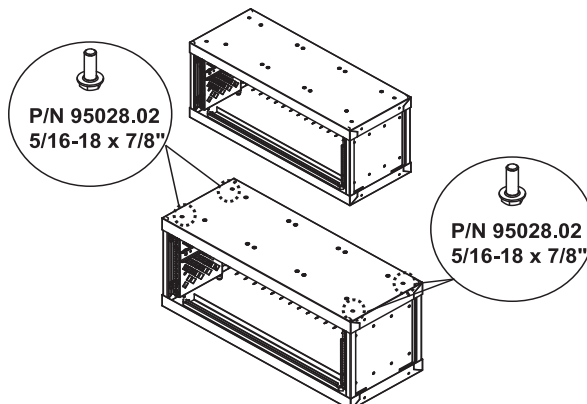
Cabinet may be ganged together or stacked and secured with hardware (included), or placed on universal weapons rack systems..



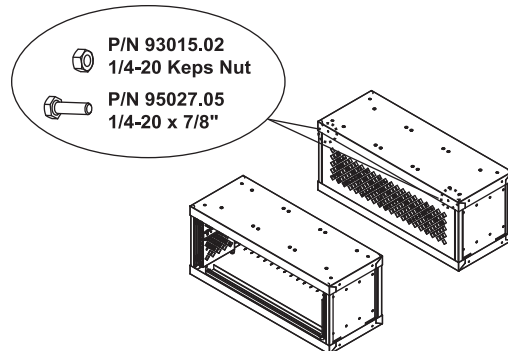
Mounting to Weapons Rack



Side-To-Side



Stacking Units

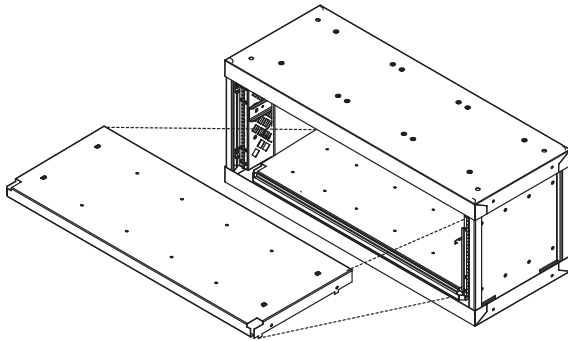


Back-To-Back

Optional Accessories

Assembly-UWRBINFL10

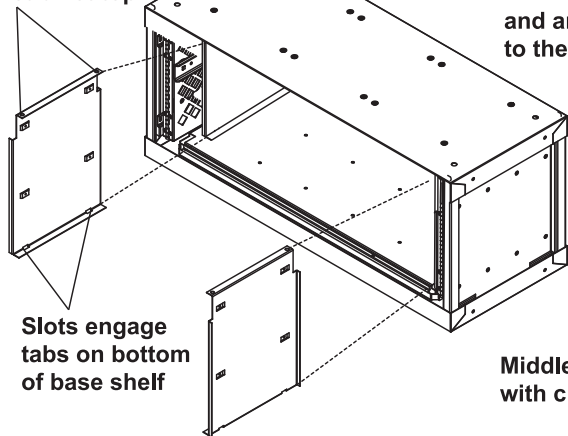
Base Shelf



1. Install the base shelf to the bottom of the cabinet.
2. The front of the base shelf locks under the front lip of the cabinet. The rear of the base shelf rests on the rear floor of the cabinet.

Bin Walls

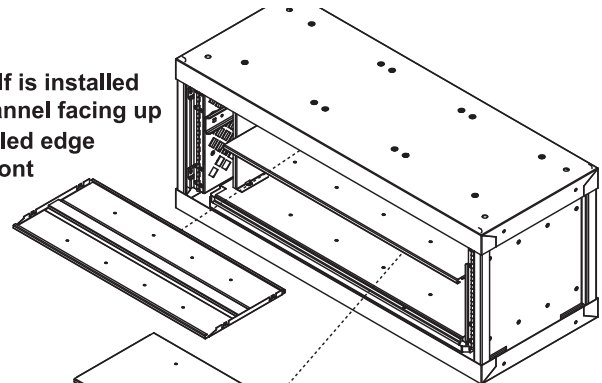
Holes on top of bin wall engage pins on underside of cabinet top



Slots engage tabs on bottom of base shelf

Top shelf is installed with channel facing up and angled edge to the front

Full Width Bin Shelves



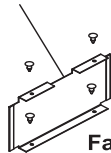
Shelf tabs engage slots on bin wall

Middle shelf is installed with channel facing down

Install shelves with angled edge to the front

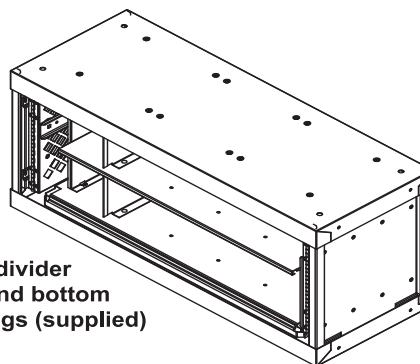
Bin Dividers

Install all dividers with notch facing up to clear channel in top shelf



Fasten divider at top and bottom with plugs (supplied)

Finished Assembly



UWRBINFL10

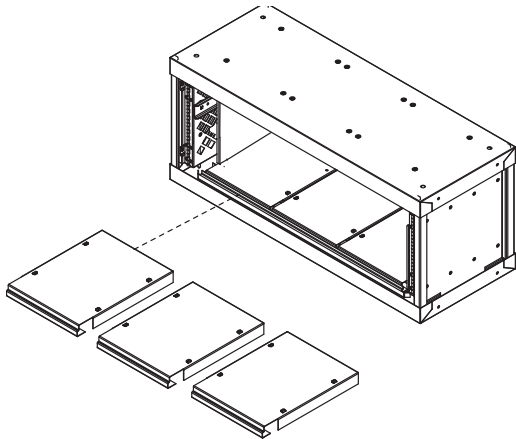
Lockable Sliding Doors

The unit is equipped from the factory with folding bifold mesh doors and bars that can be locked for security.

The doors fold to the side and then slide into the cabinet for easy access.

Optional Accessories

Assembly—UWRBIN230S18 & UWRBIN130S18

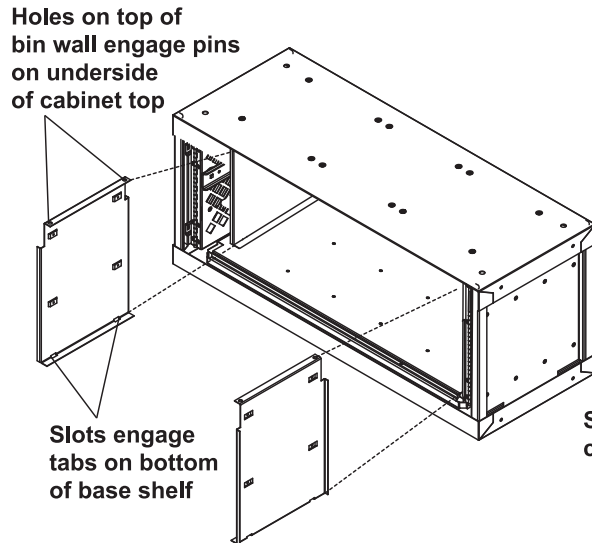


Base Shelves

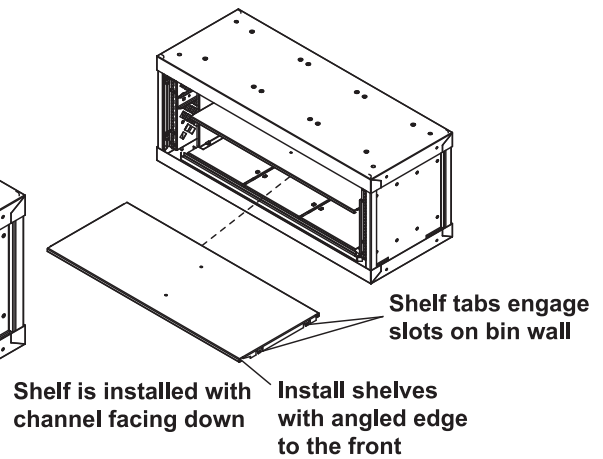
1. Install the base shelves to the bottom of the cabinet.
2. The front of the base shelf locks under the front lip of the cabinet. The rear of the base shelf rests on the rear floor of the cabinet.

NOTE: Base shelf P/N UWRBINBS18 is for use with overstorage cabinet only and cannot be used on Universal Weapons Rack.

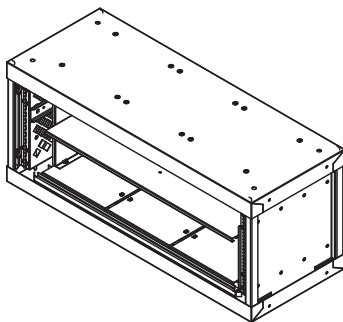
Bin Walls



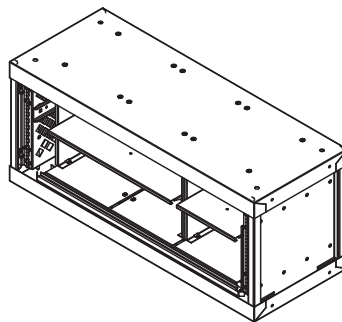
Bin Shelves



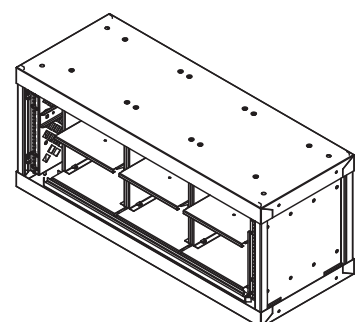
Finished Assembly



UWRBINVFLOS18



UWRBINV230S18
&
UWRBINV130S18



UWRBINV130S18
(Qty. 3 shown)

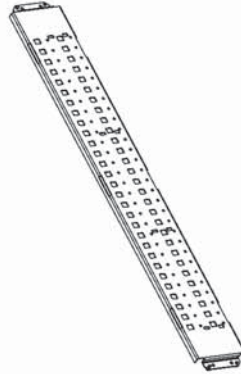
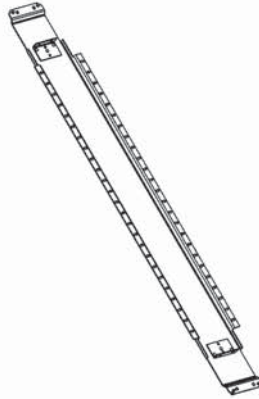
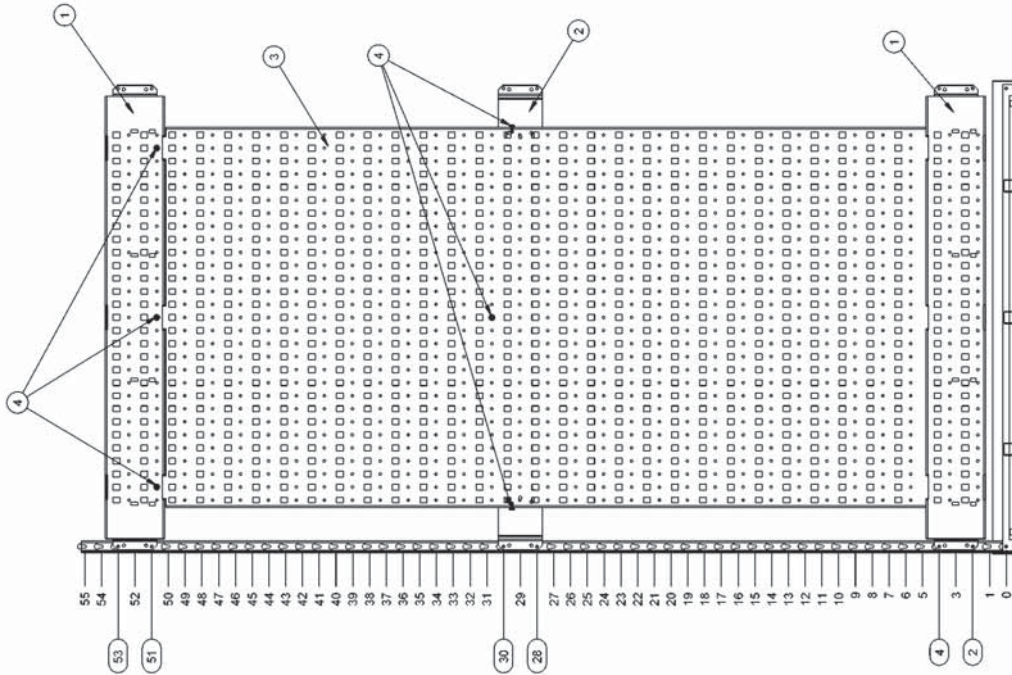
Lockable Sliding Doors

The unit is equipped from the factory with folding bifold mesh doors and bars that can be locked for security.

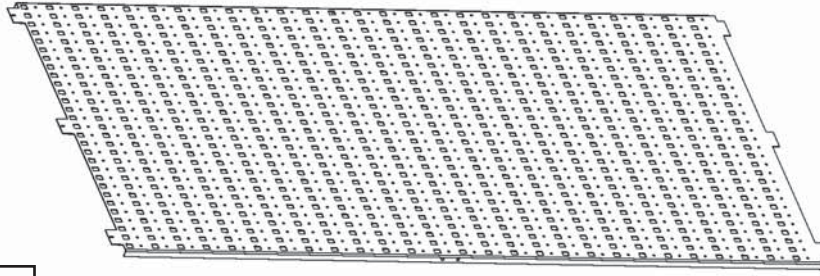
The doors fold to the side and then slide into the cabinet for easy access.

Back Panel Assembly

Note: The same assembly process is used with the 76.25 Cabinet UWRC4276BP except the intermediate support rail is located at key hole location 23 and 25 and the top support rail is located at key hole location 46 and 48.

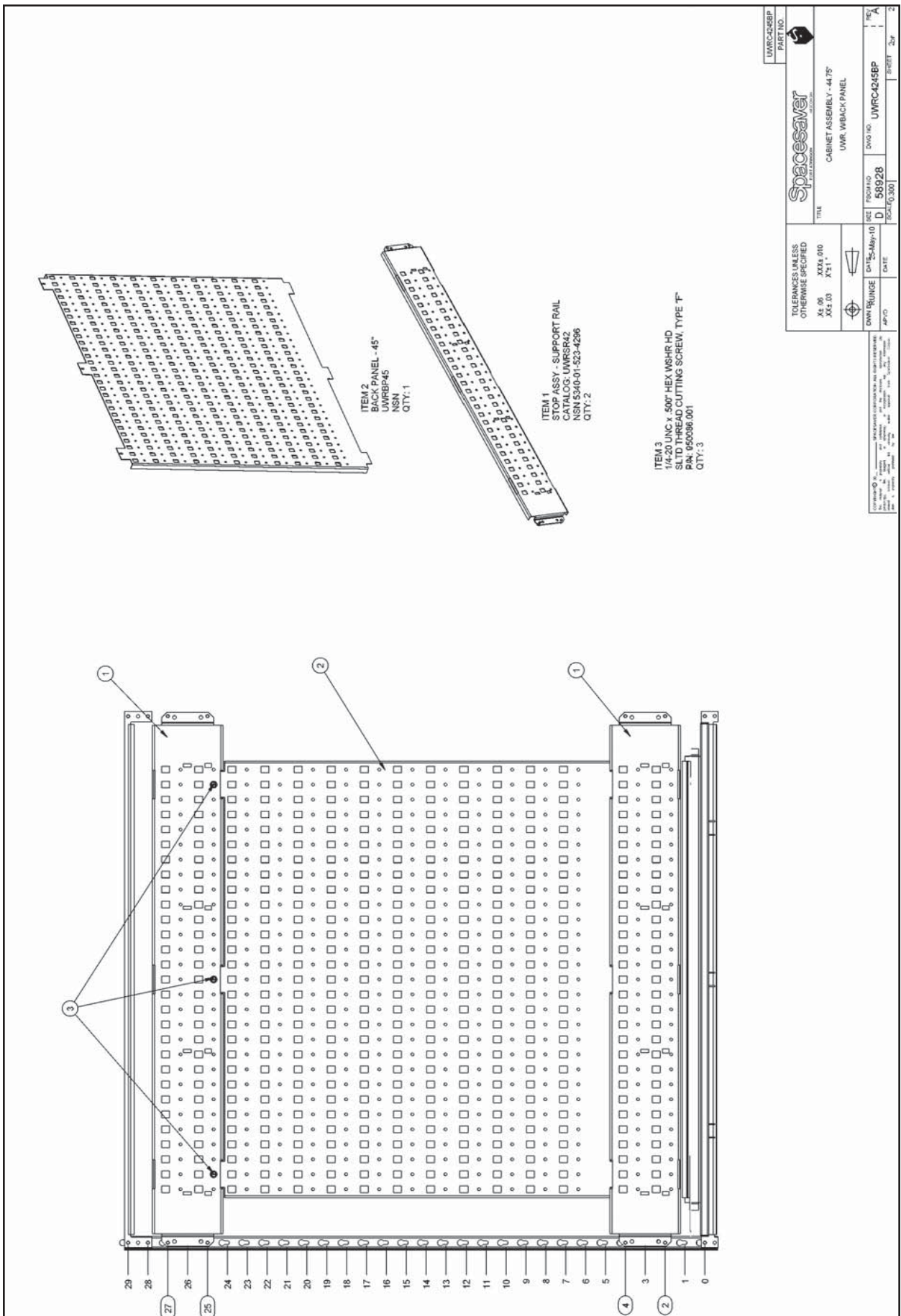


ITEM 4
1/4" INCH X 500' HEX WASHR HD
SSTD THREAD CUTTING SCREW, TYPE 'F'
PIN: 9500396 001
QTY: 6



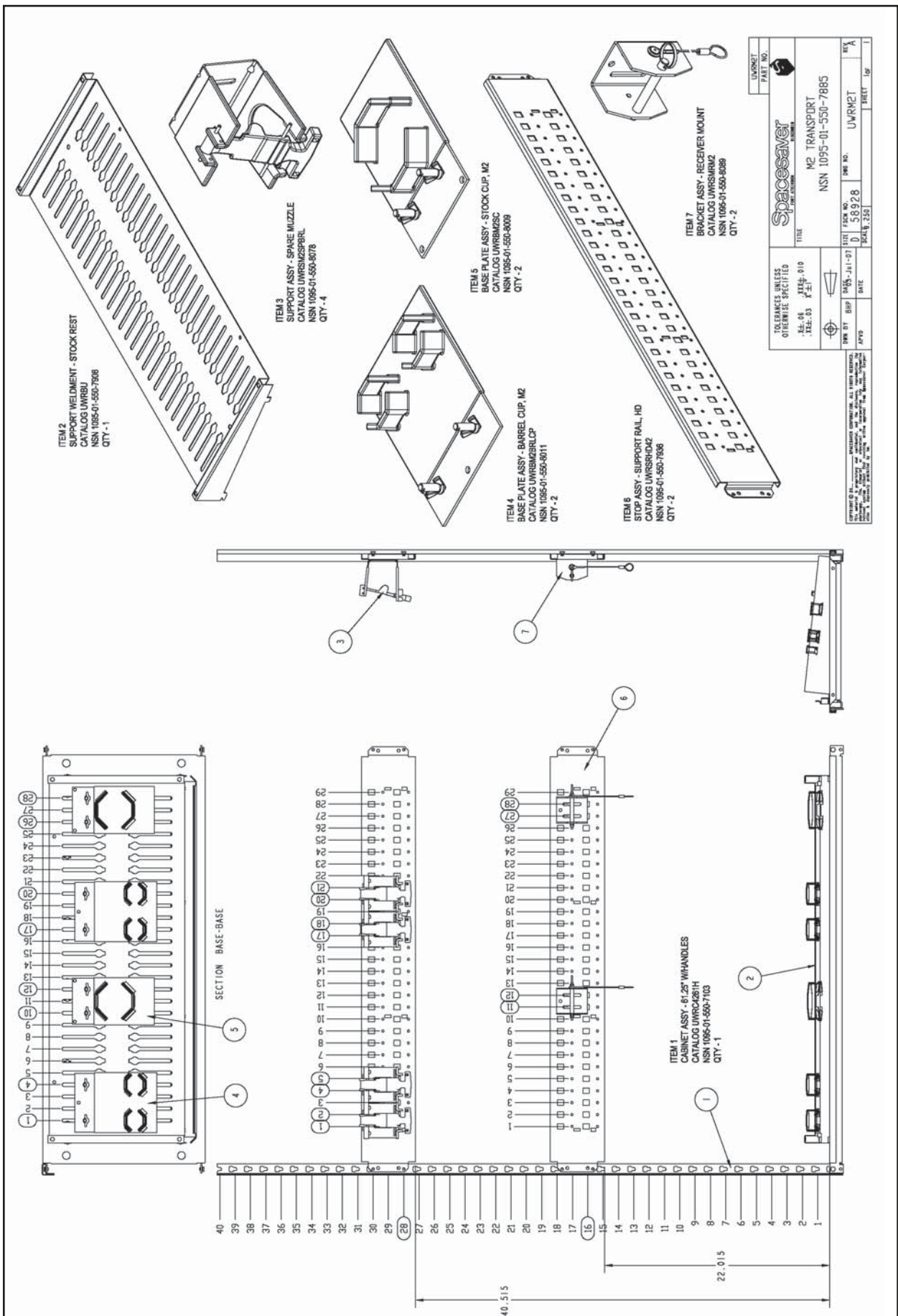
TOLERANCES UNLESS OTHERWISE SPECIFIED XX.06 XXXs.000 XXs.03 X".1"		DWG NO. 58928 FROM NO. D DATE 17-JAN-10 DESIGNED BY SLA CHECKED BY TJS DRAWN BY TJS DATE 17-JAN-10 SCALE 1:1	UWR-428BP CAT NO.
Spacesaver PROFESSIONAL		TITLE CABINET ASSEMBLY - 83.75" UWR, WBACK PANEL	SHEET 3 of 3
UWR-428BP CAT NO.		UWR-428BP CAT NO.	UWR-428BP CAT NO.

Back Panel Assembly



LWRC-425BP PART NO.				UWR WPBACK PANEL CABINET ASSEMBLY - 44.75"	
TOLERANCES UNLESS OTHERWISE SPECIFIED X1.00 X24.00 X24.00 X1.1"		TITLE UWR WPBACK PANEL		DWG NO. LWRC-425BP 58928	
DIMENSIONS DATE		DWG NO. LWRC-425BP 58928		SHEET 2 of 2	
APPROVED DATE		REVISIONS DATE		SCALE 1:1	

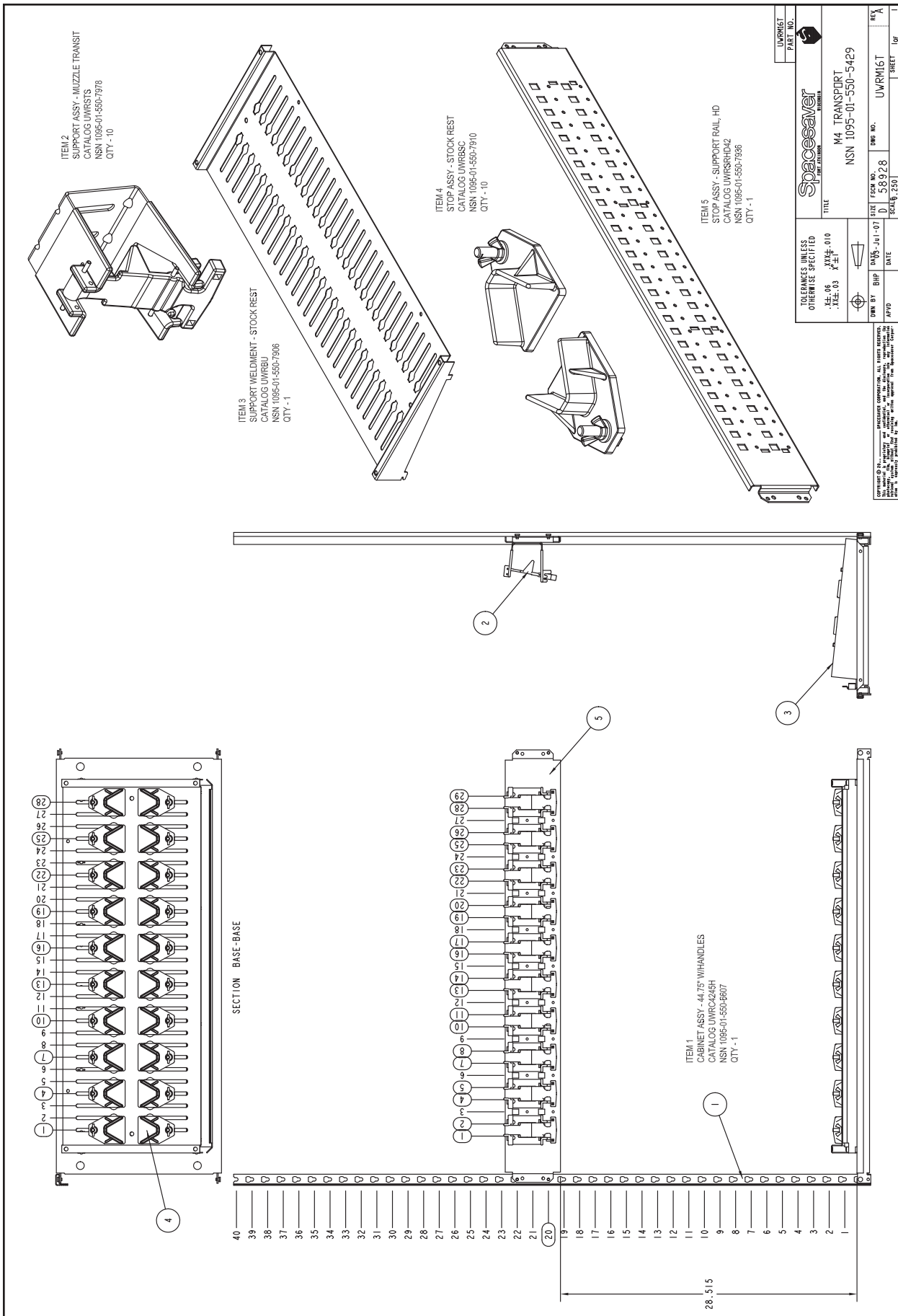
Programmed Configuration



UNWRNET PART NO.		UNWRNET	
SpaceSaver		UNWRNET	
M2 TRANSPORT		UNWRNET	
NSN 1095-01-550-7885		UNWRNET	
FOUNDED 1978		UNWRNET	

TOLERANCES UNLESS OTHERWISE SPECIFIED	DATE	APP'D	DATE	BY	CHK'D
.X2-.08	01-07-12				
.X12-.03					

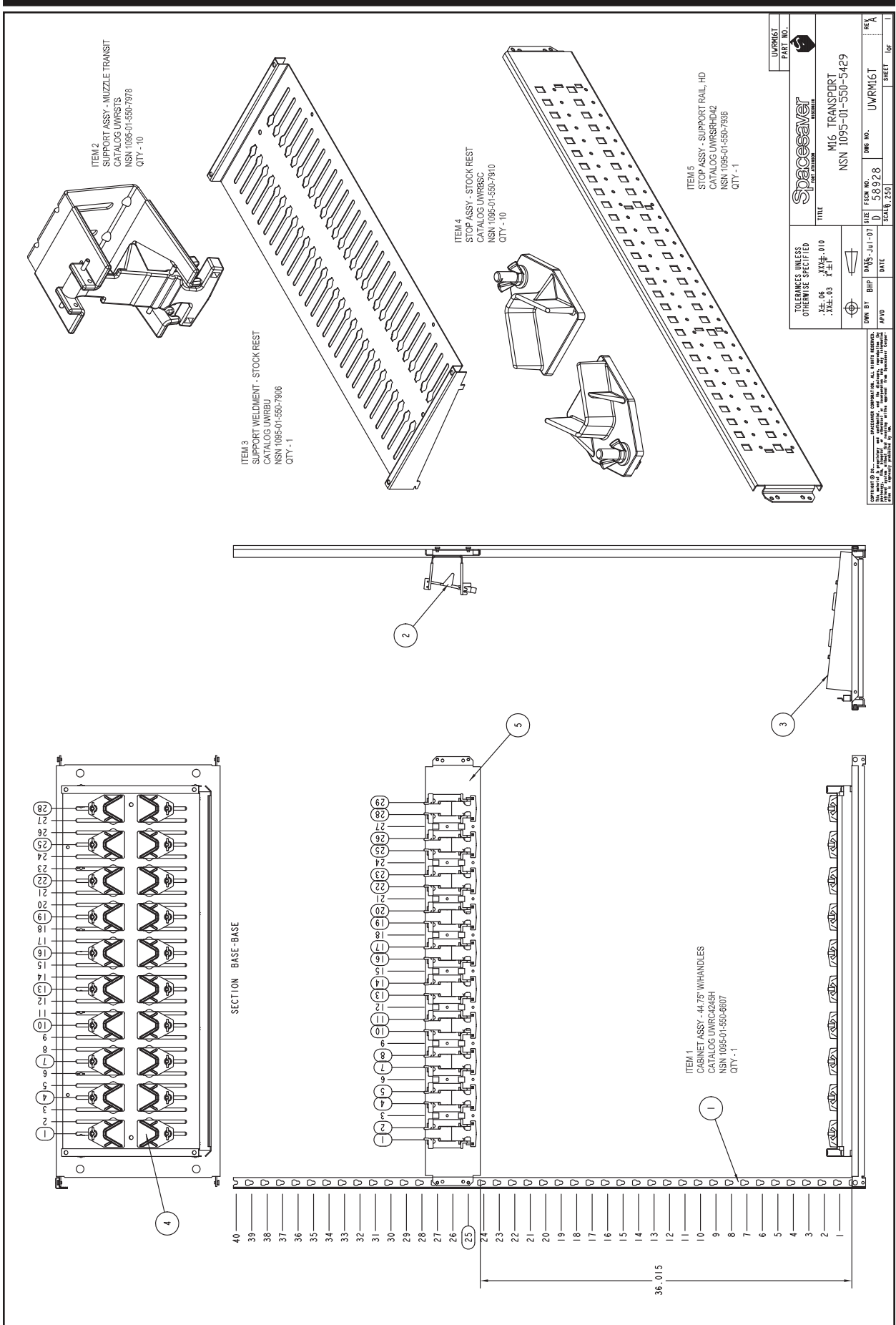
Programmed Configuration



UWRMST PART NO.		REV	
M4 TRANSFORT		M4 TRANSFORT	
NSN 1095-01-550-5429		NSN 1095-01-550-5429	
TITLE		REV	
M4 TRANSFORT		M4 TRANSFORT	
NSN 1095-01-550-5429		NSN 1095-01-550-5429	
FSC NO.		DWG NO.	
0		58928	
DATE		SHEET	
01/07		10/16	
BY		FOR	
APV		UWRM1GT	
SCALE		1:1	
250		1	

UNLESS OTHERWISE SPECIFIED
TOLERANCES UNLESS OTHERWISE SPECIFIED
FRACTIONS
DECIMALS
DIMENSIONS
UNLESS OTHERWISE SPECIFIED
DIMENSIONS
UNLESS OTHERWISE SPECIFIED
DIMENSIONS

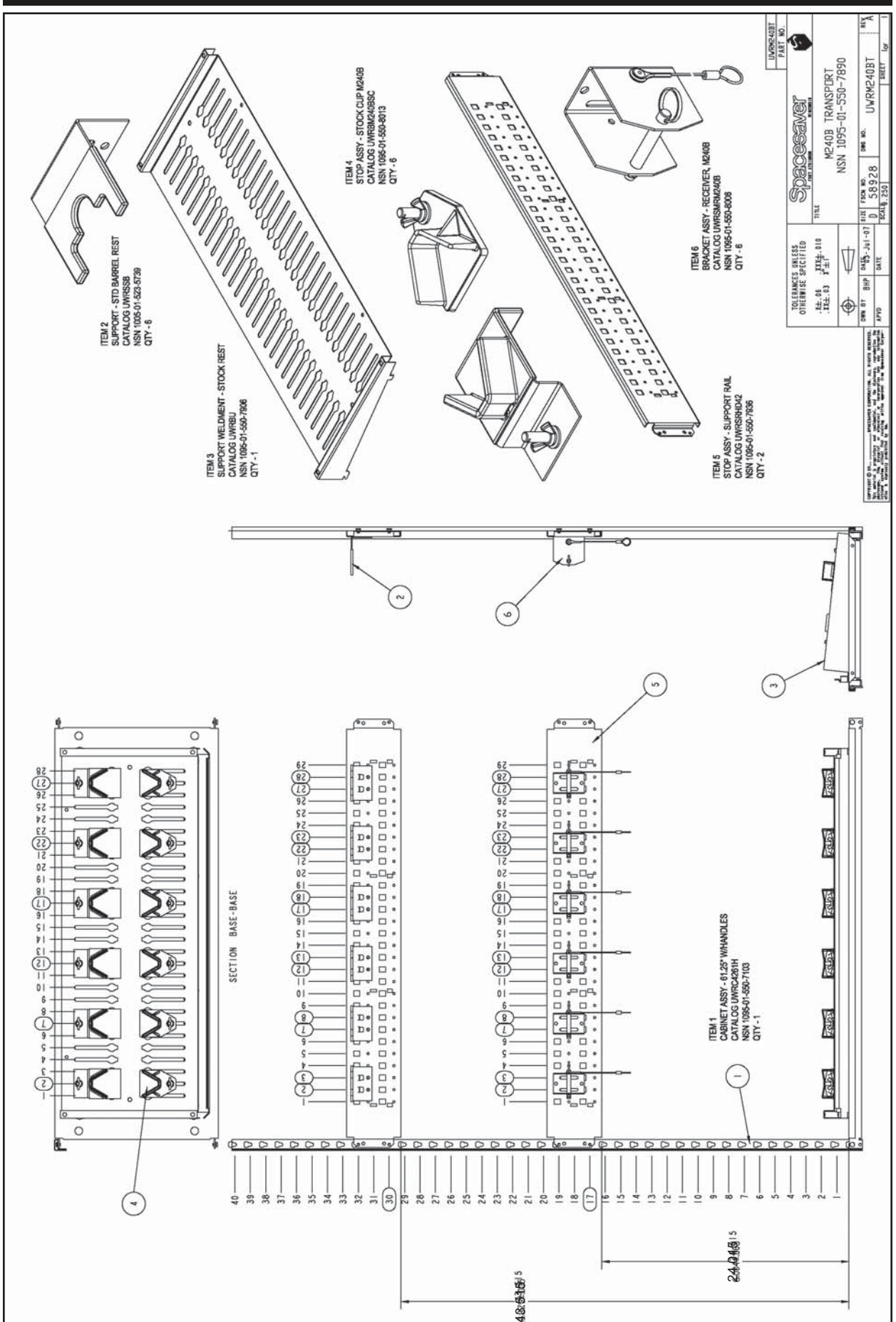
Programmed Configuration



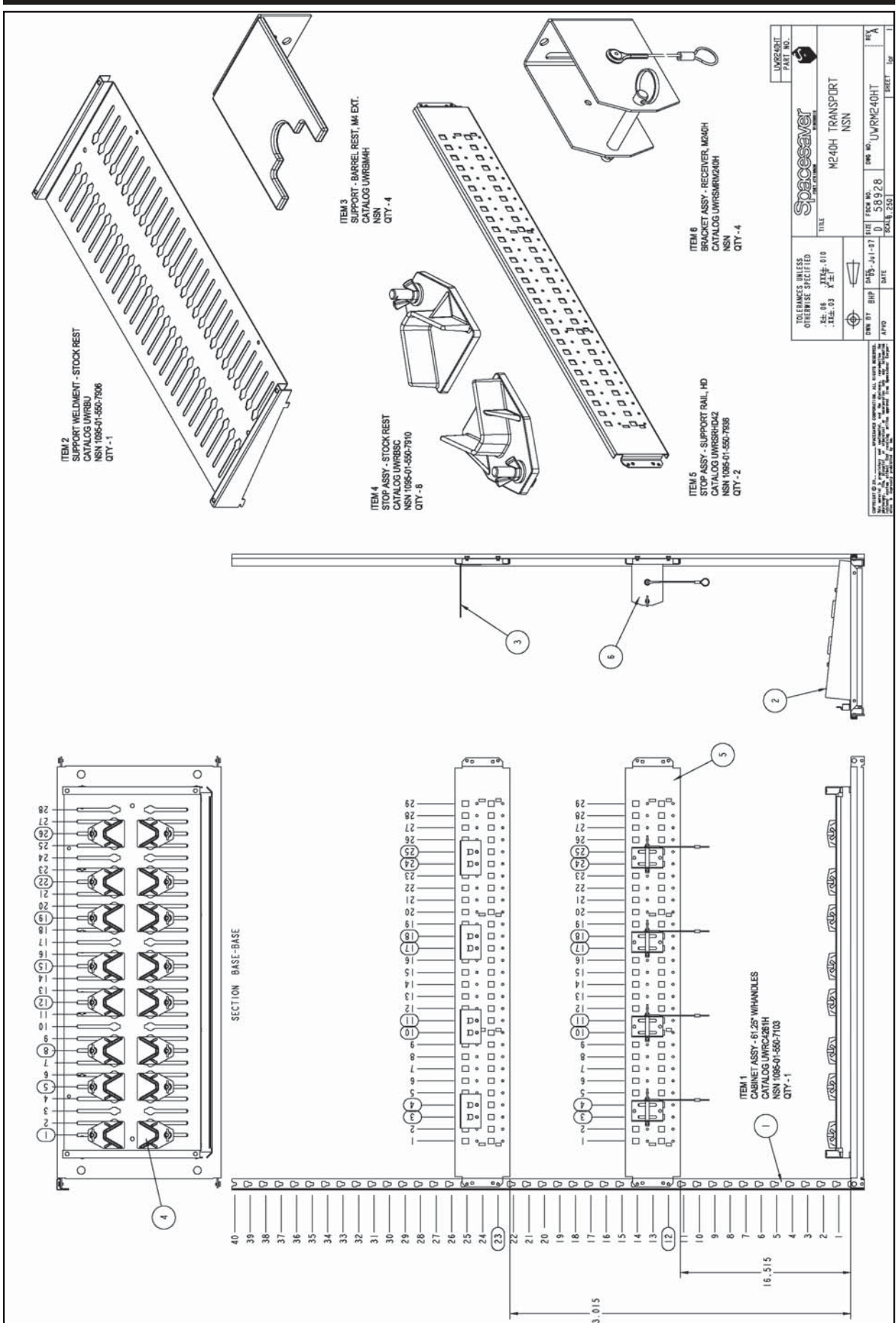
UWRM1GT PART NO.			MIG TRANSPORT NSN 1095-01-550-5429	
UWRM1GT			MIG TRANSPORT NSN 1095-01-550-5429	
TOLERANCES UNLESS OTHERWISE SPECIFIED .XXE-03		DATE		REV
DWN BY: ARVO		DATE		REV
DWS-JA-07		DATE		REV
ITEM: D		DWG NO.: 58928		SHEET
SCALE: 2:50				OF

Copyright © 2011, Southwest Solutions, Inc. All rights reserved. This drawing is the property of Southwest Solutions, Inc. and is not to be reproduced, stored in a retrieval system, or transmitted in any form or by any means, electronic, mechanical, photocopying, recording, or by any information storage and retrieval system, without the prior written permission of Southwest Solutions, Inc.

Programmed Configuration



Programmed Configuration



ITEM 2
SUPPORT WELDMENT - STOCK REST
CATALOG UWRBJ
NSN 1095-01-550-7906
QTY - 1

ITEM 3
SUPPORT - BARREL REST, IM EXT.
CATALOG UWRBM4H
NSN
QTY - 4

ITEM 4
STOP ASSY - STOCK REST
CATALOG UWRBSC
NSN 1095-01-550-7910
QTY - 8

ITEM 5
STOP ASSY - SUPPORT RAIL, HD
CATALOG UWRBRD4Z
NSN 1095-01-550-7938
QTY - 2

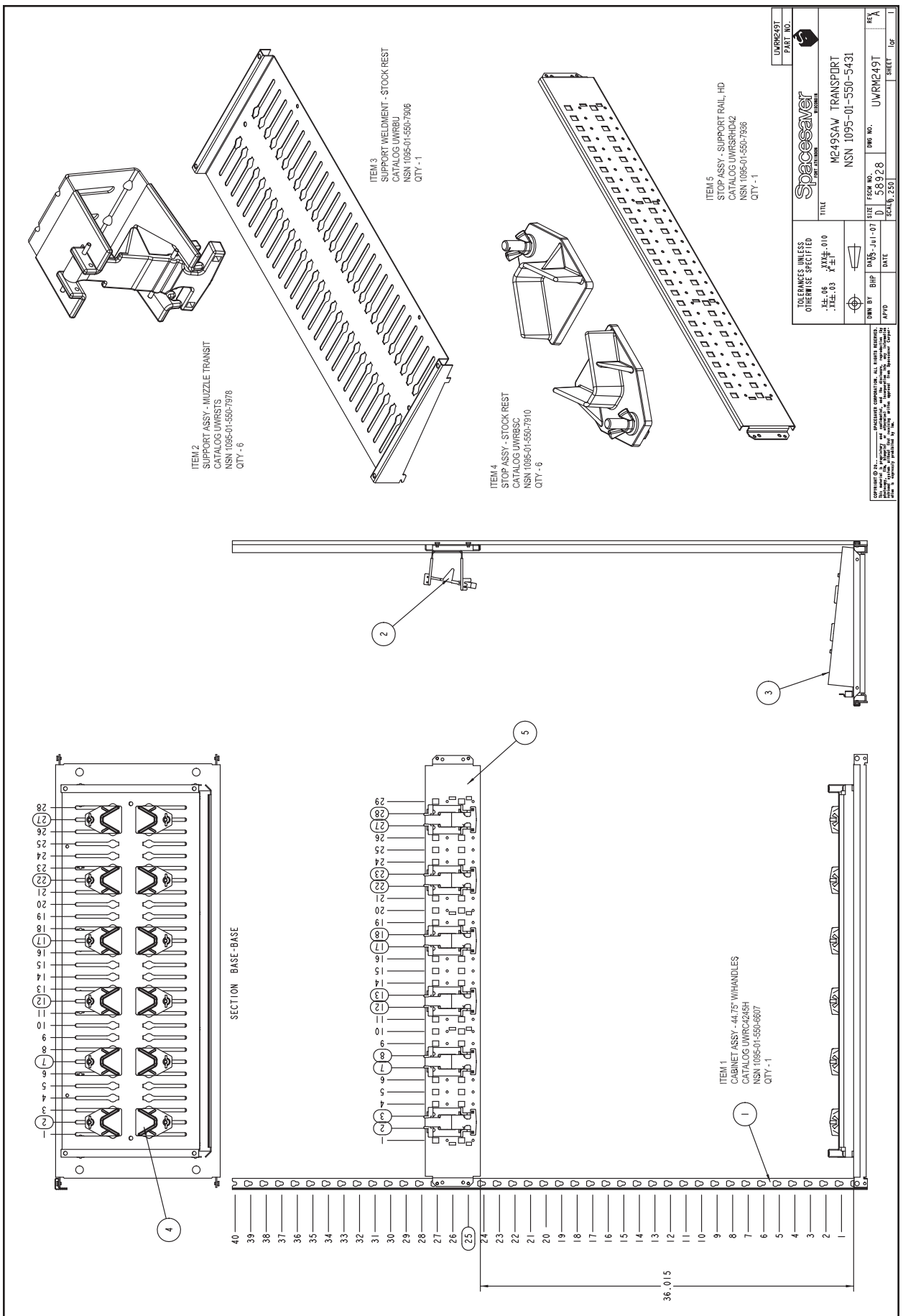
ITEM 6
BRACKET ASSY - RECEIVER, M240H
CATALOG UWRSMR240H
NSN
QTY - 4

ITEM 1
CABINET ASSY - 61.25" HANDLES
CATALOG UWRCA261H
NSN 1095-01-550-7103
QTY - 1

TOLERANCES UNLESS OTHERWISE SPECIFIED			DWG BY: SHIP	DATE: 2/11/07	SIZE FROM NO: D	REV: A
.X.X: .05 .X.XX: .03 .X.XX: .015 X.XX: .01						
Spaceveer	M240H TRANSPORT		REV: A	DATE: 2/11/07	SIZE FROM NO: D	REV: A
NSN	NSN	NSN	REV: A	DATE: 2/11/07	SIZE FROM NO: D	REV: A
3610-01-550-7906	3610-01-550-7910	3610-01-550-7938	REV: A	DATE: 2/11/07	SIZE FROM NO: D	REV: A
3610-01-550-7906	3610-01-550-7910	3610-01-550-7938	REV: A	DATE: 2/11/07	SIZE FROM NO: D	REV: A
3610-01-550-7906	3610-01-550-7910	3610-01-550-7938	REV: A	DATE: 2/11/07	SIZE FROM NO: D	REV: A

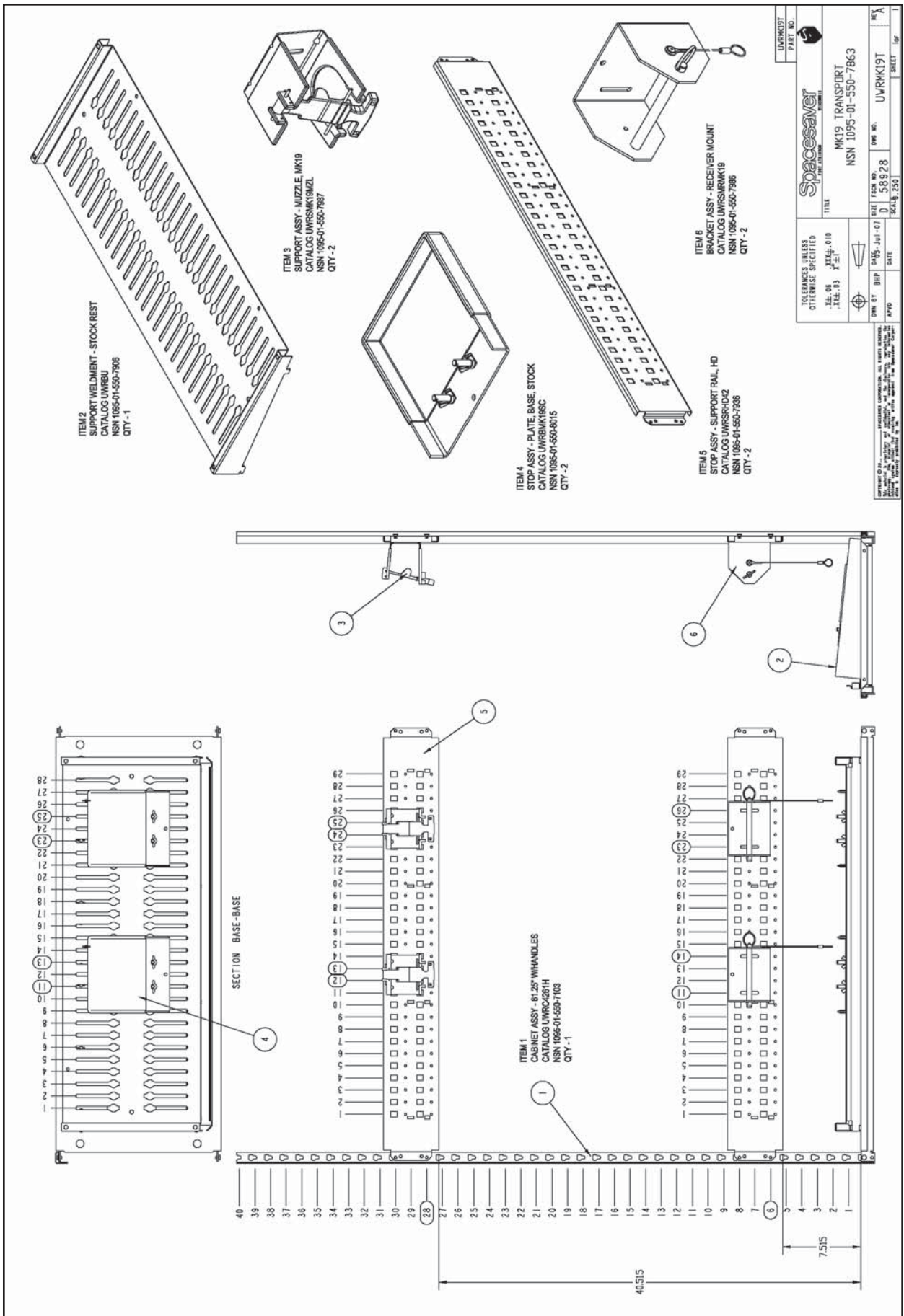
REVISIONS:
REV. NO. DATE BY: DESCRIPTION
A 2/11/07 SHIP INITIAL RELEASE

Programmed Configuration

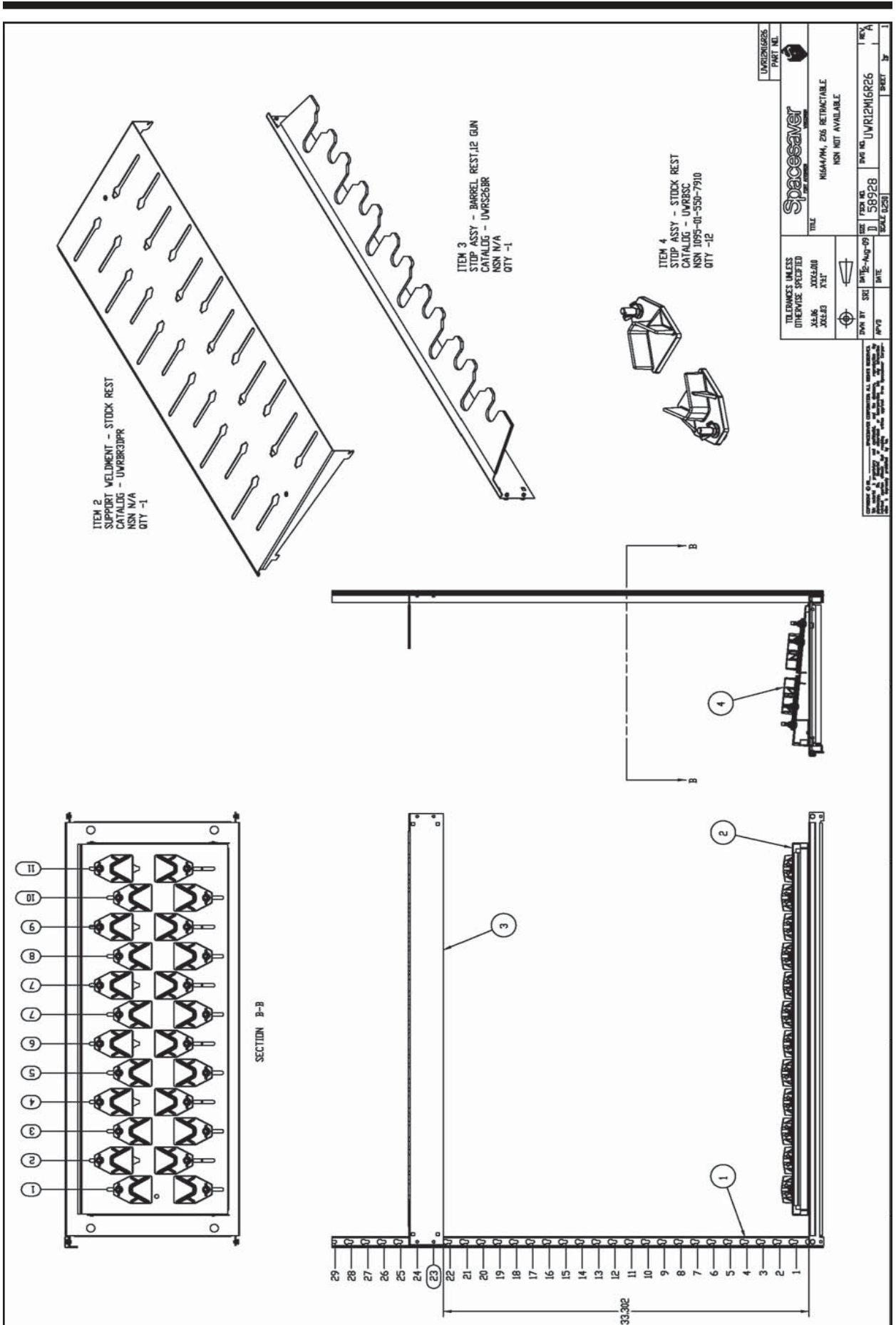


UWRM249T PART NO.		5	
Spacesaver FOR THE MILITARY			
TITLE		M249SAW TRANSPORT	
NSN		NSN 1095-01-550-5431	
DWN BY		APVD	
DATE		DATE	
REV		REV	
SHEET		OF	
T		A	
FORM NO.		FORM NO.	
58928		58928	
SCALE		SCALE	
2:50		2:50	

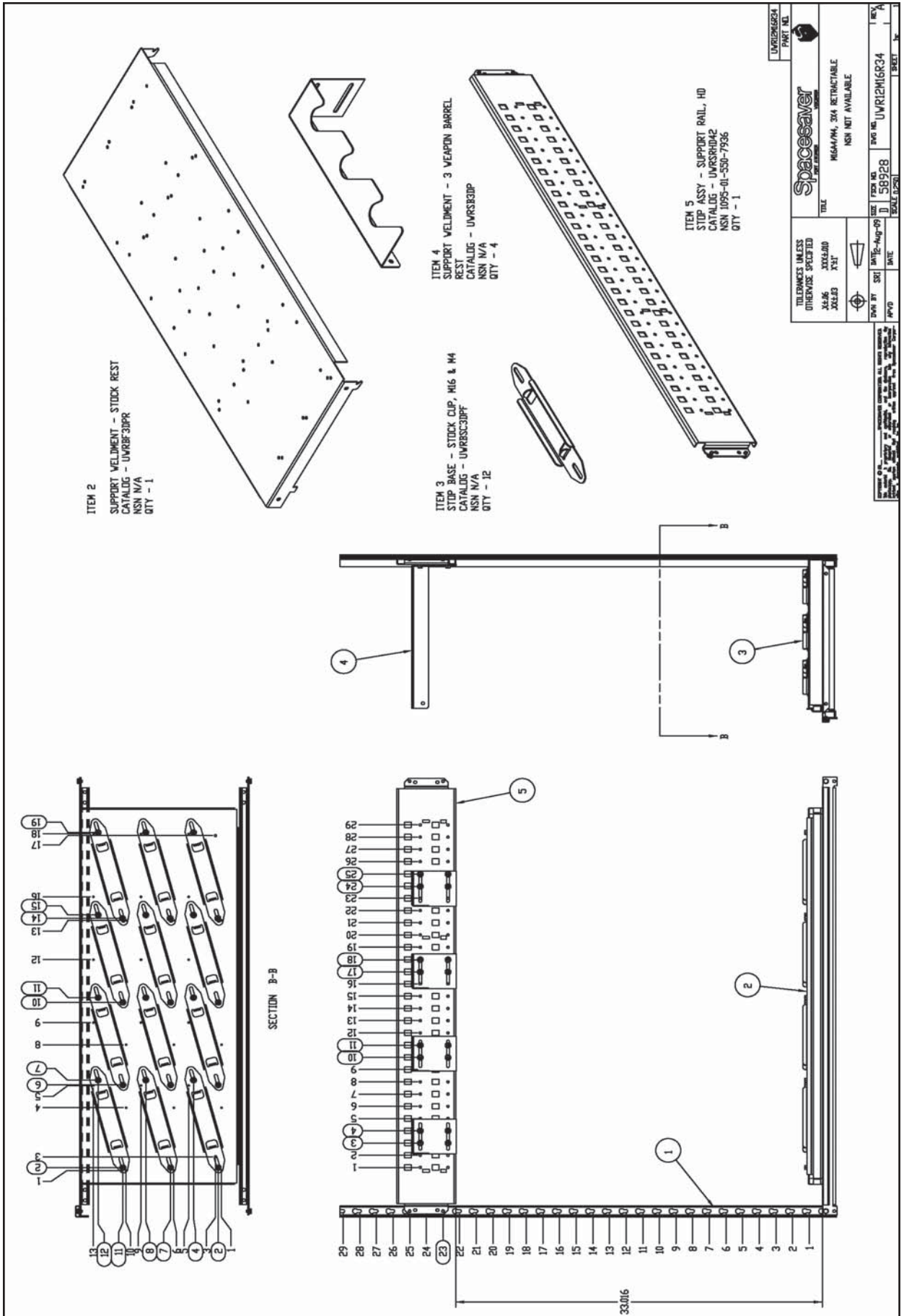
Programmed Configuration



High Density Configuration

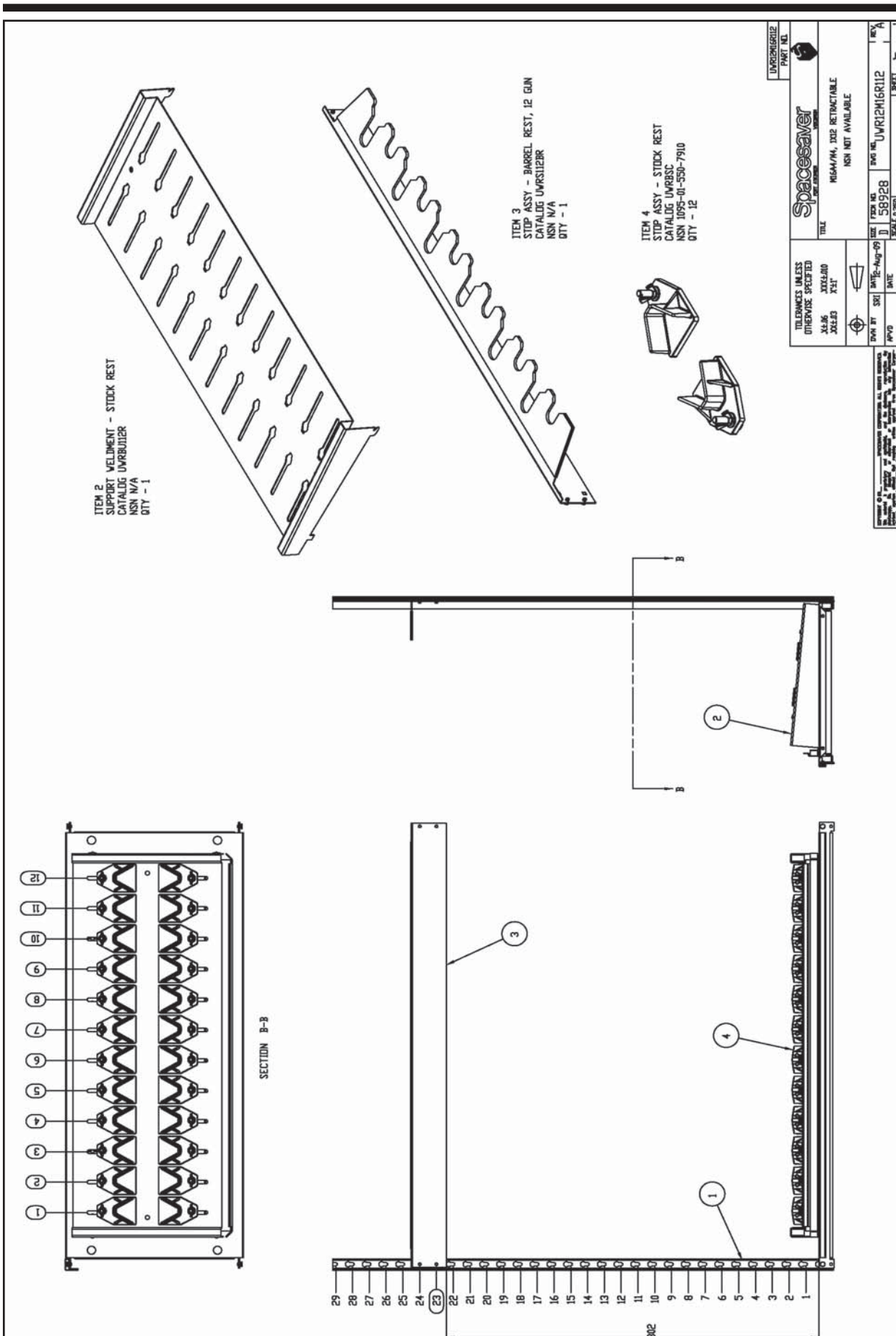


High Density Configuration



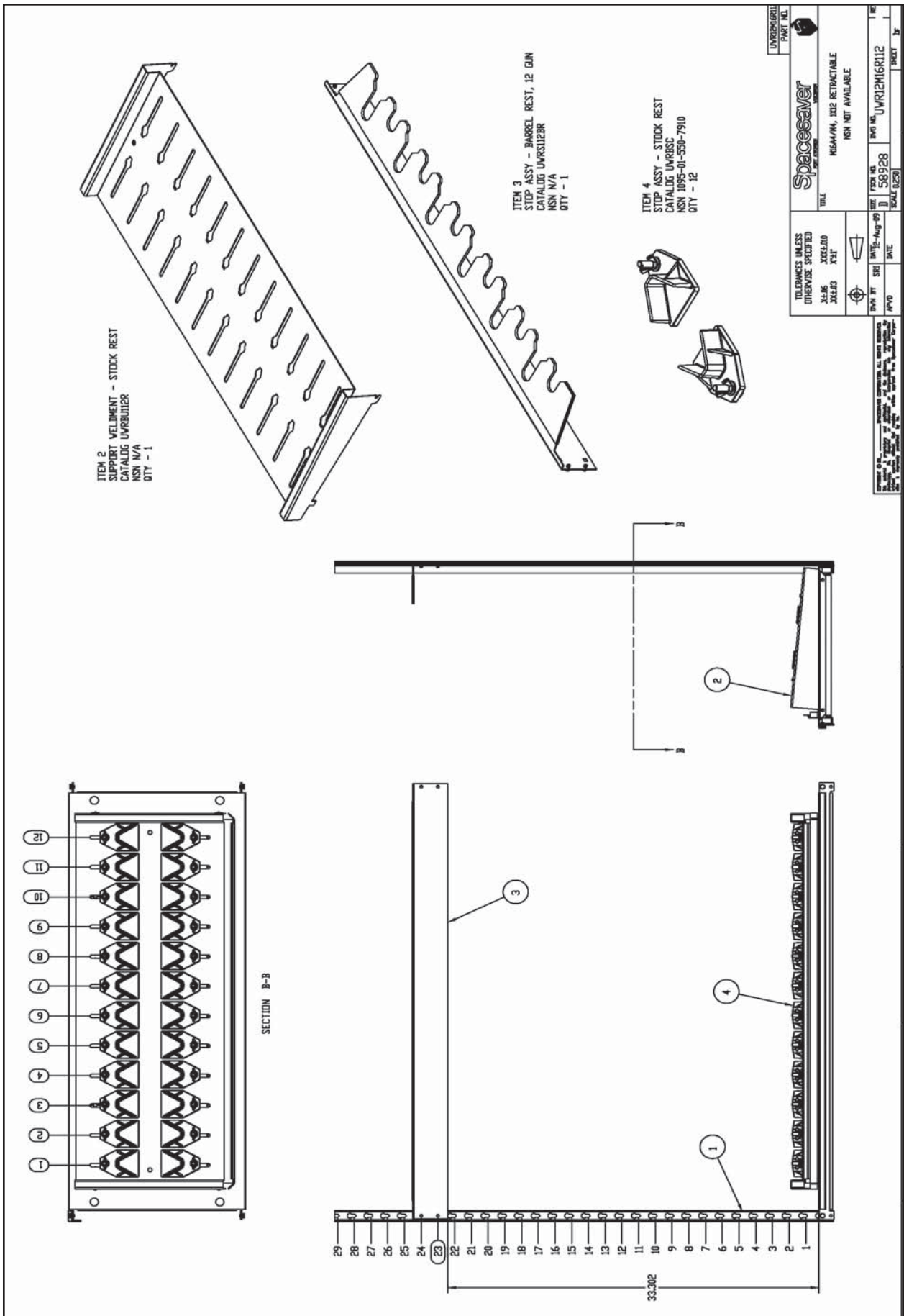
		TITLE MEGA/M4, 304 RETRACTABLE NSN NOT AVAILABLE	UVR21M6R34 PART NO.
TOLERANCES UNLESS OTHERWISE SPECIFIED X.X.25 ANGLES X.5 X.5.00 X.5.00	DATE: Aug-09 DWG BY: SRT APP'D:	UVR21M6R34 PART NO.	UVR21M6R34 PART NO.

High Density Configuration



TOLERANCES UNLESS OTHERWISE SPECIFIED X.XX X.XX X.XX X.XX		DATE: 12-14-09		DWG NO: UMR12M16R112	
TITLE: M16/M4 D32 RETRACTABLE		DATE: 58928		SHEET: 1	
PART NO: UMR016R12		DATE: 58928		SHEET: 1	
NSN NOT AVAILABLE		DATE: 58928		SHEET: 1	

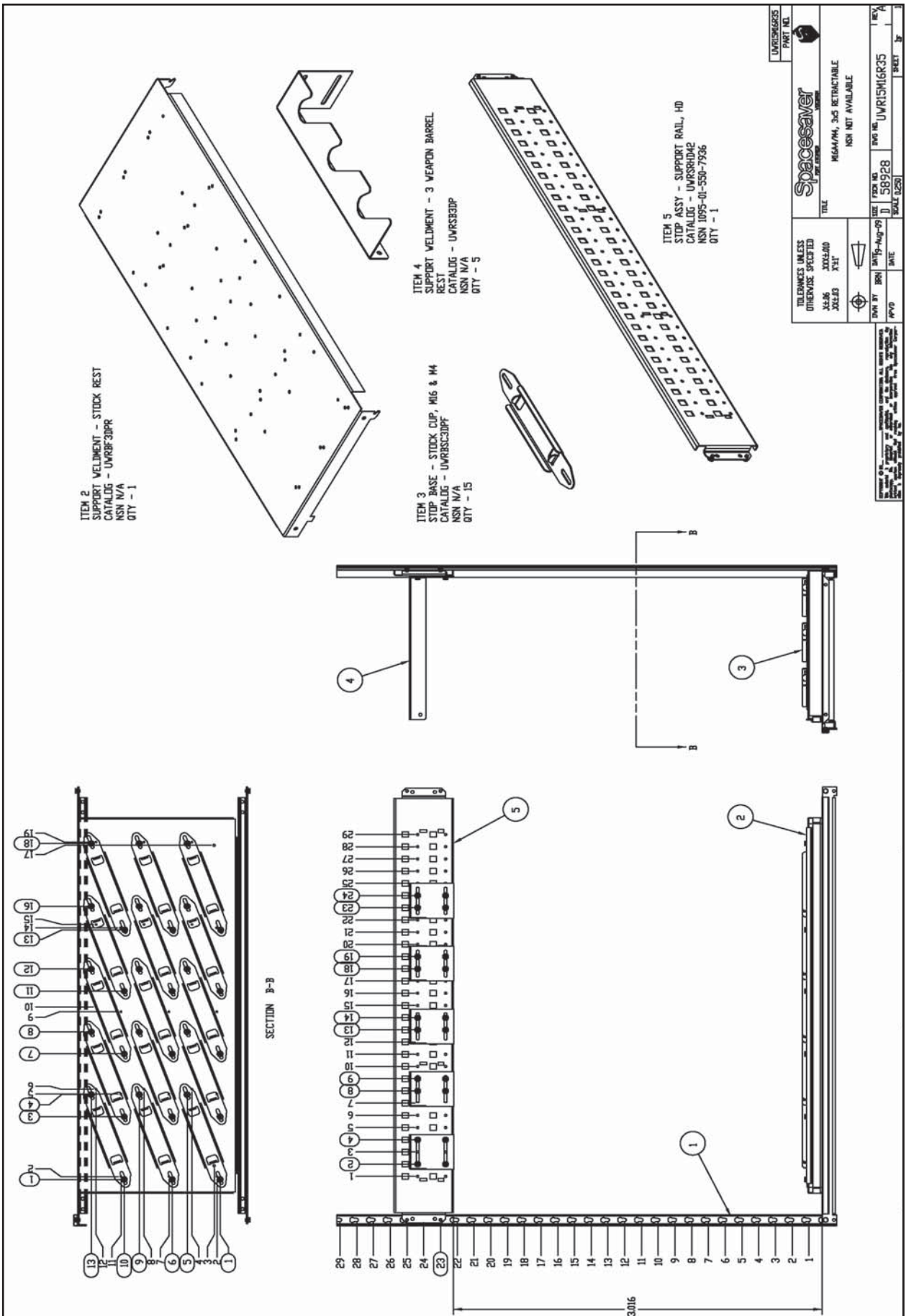
High Density Configuration



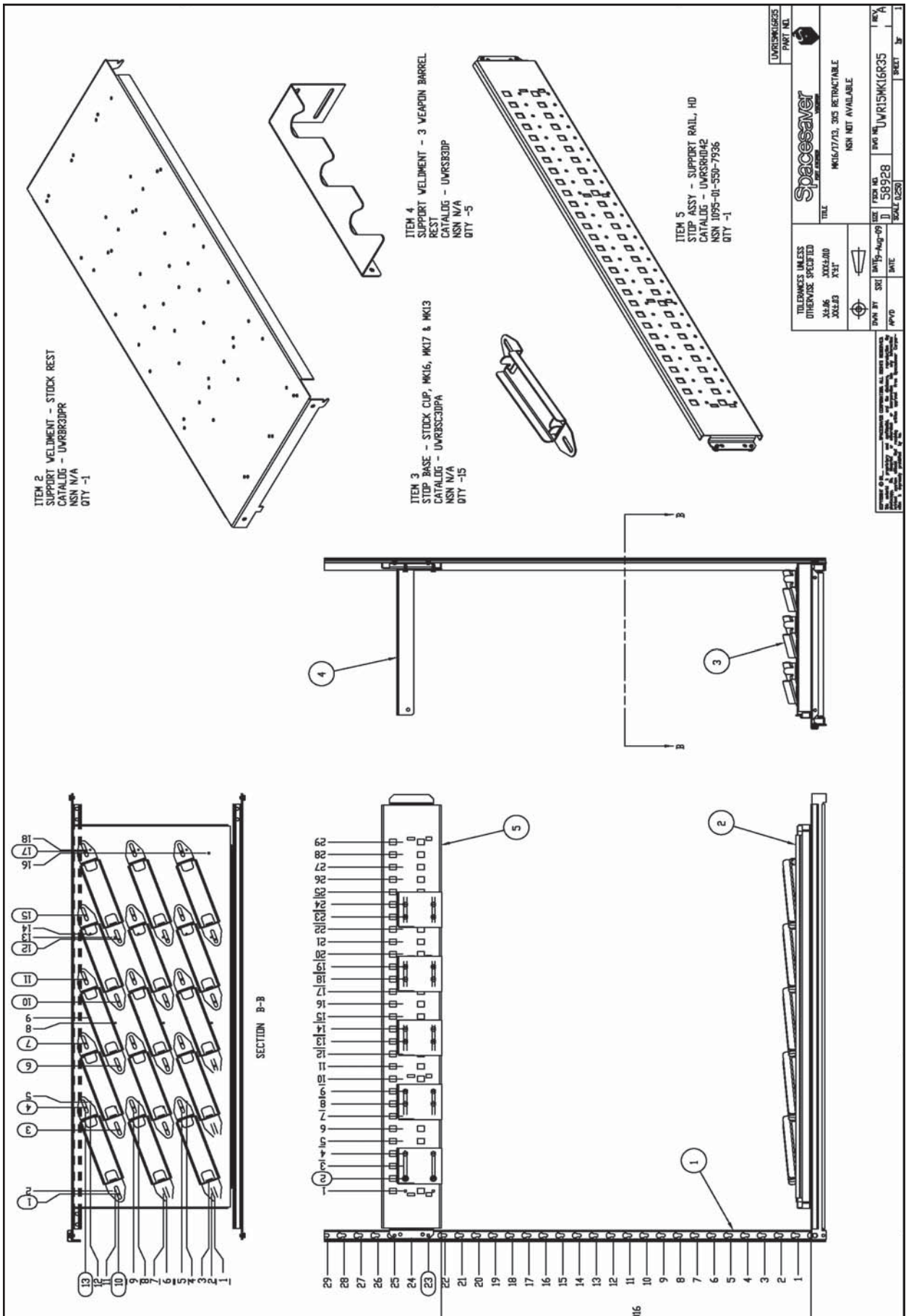
TOLERANCES UNLESS OTHERWISE SPECIFIED		DIM IN INCH	
XX.XX	XX.XXX	XX.XX	XX.XXX
DATE: 12-14-09		DATE: 12-14-09	
DWG BY: SRI		DWG NO: UVR12MGR112	
CHKD BY: J		REV: 1	
DATE: 58928		SHEET: 3	
SCALE: 1:1		PART NO:	

UNRETRACTABLE		PART NO:	
SpaceSaver		NSN NOT AVAILABLE	
MGM/M, JDE RETRACTABLE		NSN NOT AVAILABLE	
TILE		REV: 1	
DATE: 12-14-09		DATE: 12-14-09	
DWG BY: SRI		DWG NO: UVR12MGR112	
CHKD BY: J		REV: 1	
DATE: 58928		SHEET: 3	
SCALE: 1:1		PART NO:	

High Density Configuration



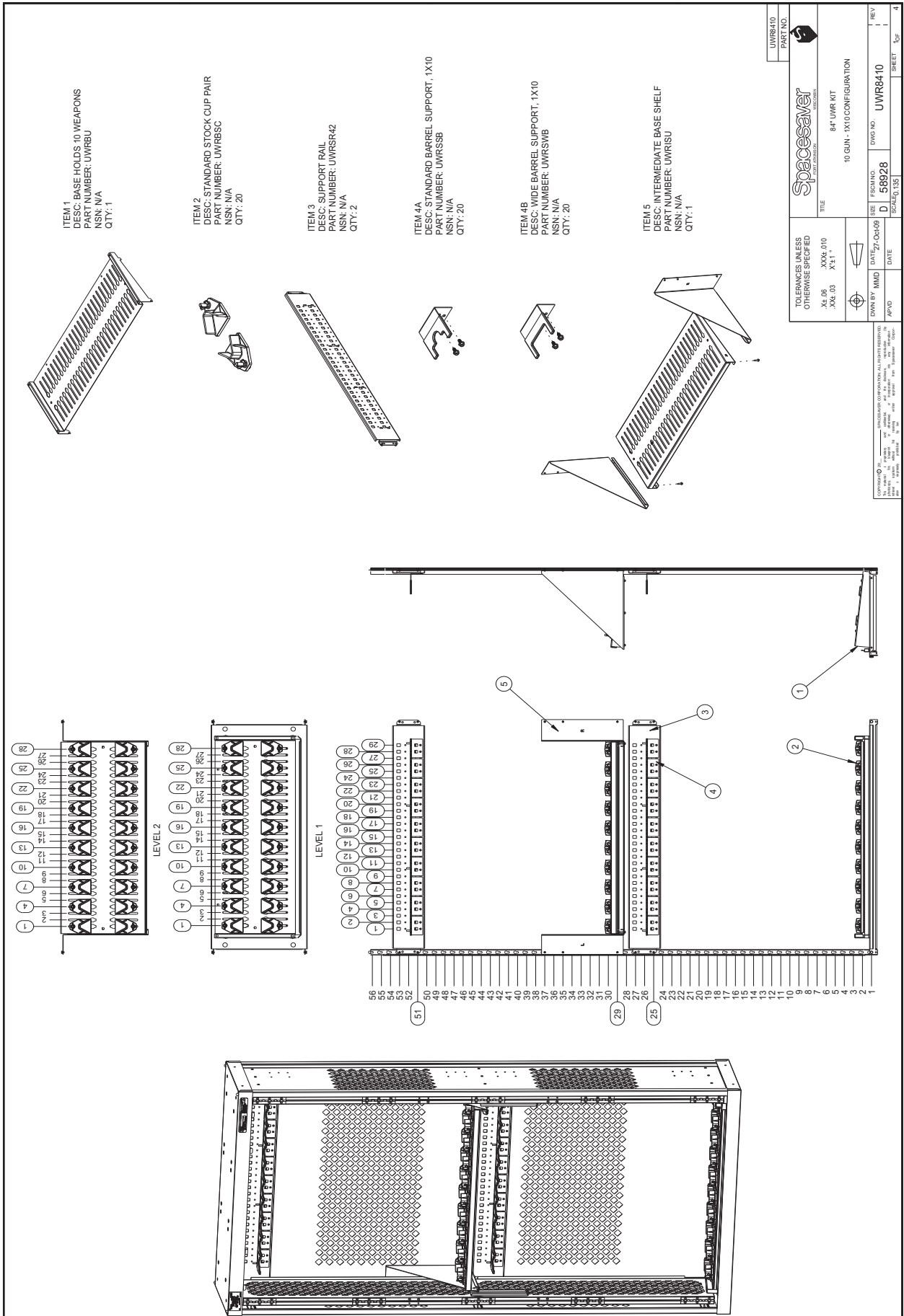
High Density Configuration



TELEMARKETS UNLESS OTHERWISE SPECIFIED		SCALE: US:MM	
XX:XX	XX:XX	DATE	BY
XX:XX	XX:XX	DATE	BY
TITLE		FIG NO.	REV.
MK16/17/13, SCS RETRACTABLE		58928	A
NSN NOT AVAILABLE		UWR15WK16R35	1
PART NO.		UWR15WK16R35	1
SHEET		1	1

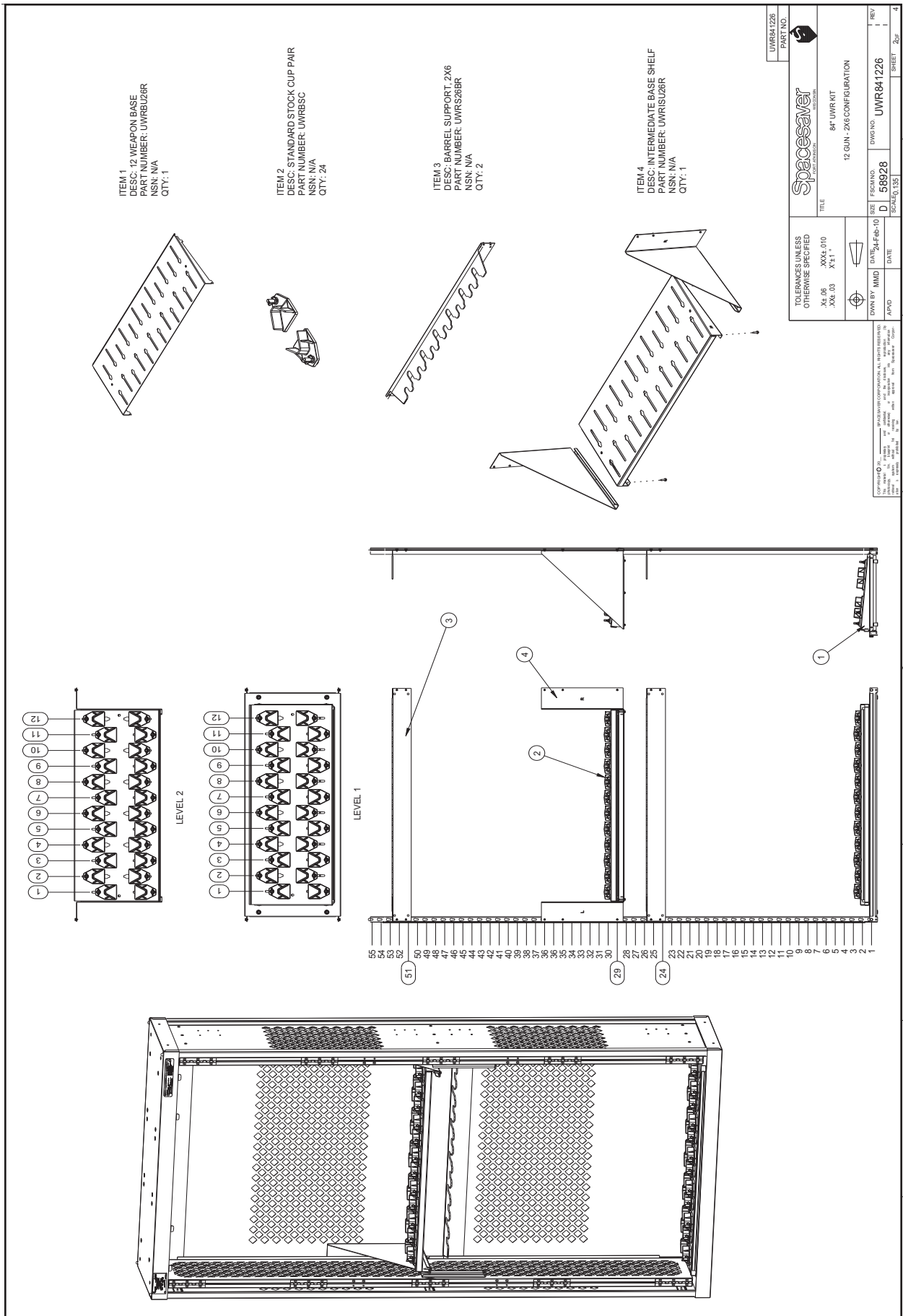
Assembly

84" Weapons Rack



84" Weapons Rack

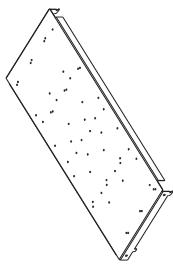
Assembly




Assembly

84" Weapons Rack


ITEM 1
DESC: 12 AND 15 WEAPON BASE
PART NUMBER: UWRBF3DPR
NSN: N/A
QTY: 1



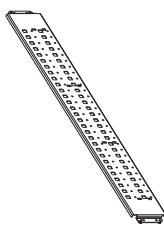
ITEM 2A
DESC: STANDARD STOCK CUP PAIR
PART NUMBER: UWRISF3DPF
NSN: N/A
QTY: 24




ITEM 2B
DESC: STANDARD STOCK CUP PAIR
PART NUMBER: UWRBSC3DPA
NSN: N/A
QTY: 12



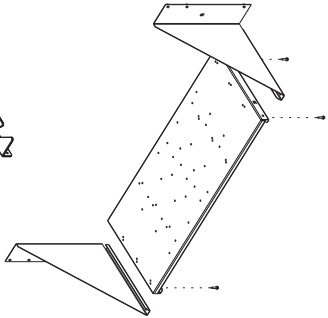
ITEM 3
DESC: SUPPORT RAIL
PART NUMBER: UWRSR42
NSN: N/A
QTY: 2

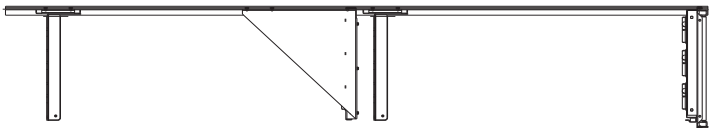


ITEM 4
DESC: BARREL SUPPORT - 3 DEEP
PART NUMBER: UWRBS3DP
NSN: N/A
QTY: 8

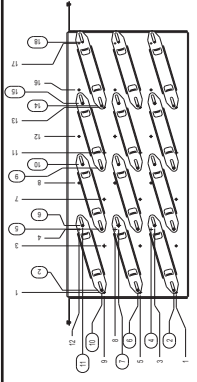


ITEM 5
DESC: INTERMEDIATE BASE SHELF
PART NUMBER: UWRISF3DPR
NSN: N/A
QTY: 1

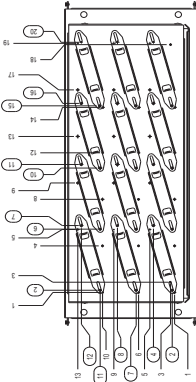


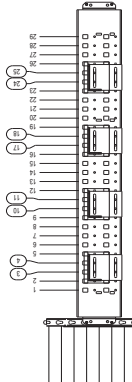


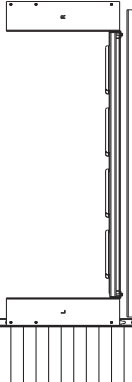
LEVEL 2

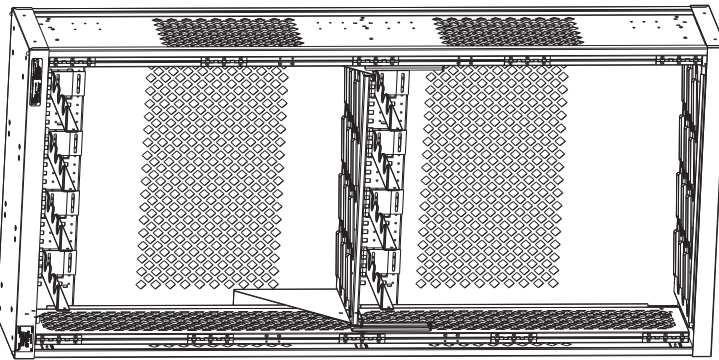


LEVEL 1









56
55
54
53
52
51
49
48
47
46
45
44
43
42
41
40
39
38
37
36
35
34
33
32
31
30
29
28
27
26
25
24
23
22
21
20
19
18
17
16
15
14
13
12
11
10
9
8
7
6
5
4
3
2
1
0.00

UWRB41234 PART NO.

Spacesaver
PART NUMBER

84" UWR KIT
12 GUN - 3x4 CONFIGURATION

FILE: XXXL010
SCALE: A1:1

DATE: 25-FEB-10

DESIGNED BY: MWD
DRAWN BY: MWD
CHECKED BY: MWD
SCALE: 1:35

UWRB41234 PART NO.

56928 D

12 GUN - 3x4 CONFIGURATION

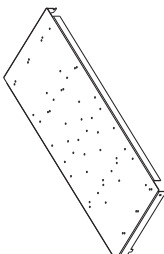
SCALE: 1:35

3


84" Weapons Rack

Assembly


ITEM 1
DESC: 12 AND 15 WEAPON BASE
PART NUMBER: UWRBF3DPR
NSN: N/A
QTY: 1



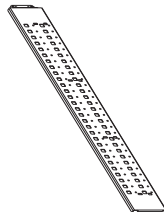
ITEM 2A
DESC: STANDARD STOCK CUP PAIR
PART NUMBER: UWRISF3DPF
NSN: N/A
QTY: 24




ITEM 2B
DESC: STANDARD STOCK CUP PAIR
PART NUMBER: UWRBSC3DPA
NSN: N/A
QTY: 12



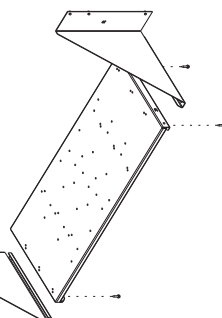
ITEM 3
DESC: SUPPORT RAIL
PART NUMBER: UWRSR42
NSN: N/A
QTY: 2



ITEM 4
DESC: BARREL SUPPORT - 3 DEEP
PART NUMBER: UWRB3DPP
NSN: N/A
QTY: 8



ITEM 5
DESC: INTERMEDIATE BASE SHELF
PART NUMBER: UWRISF3DPR
NSN: N/A
QTY: 1

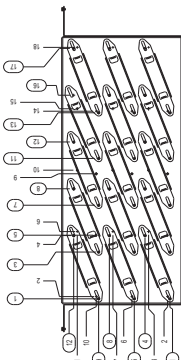


TITLE		UWRB41533 PART NO.	
DRAWING NUMBER OTHERWISE SPECIFIED		84" UWR KIT	
XXL 010 XXE 03	DATE	15 GUN - 3MS CONFIGURATION	DWG NO. UWRB41533
DATE	DATE	REV	SHEET 4 OF 4

TRUCKER/MAKER OTHERWISE SPECIFIED	SIZE	ESCAL NO.	REV
XXL 010 XXE 03	D		
DIVISION	DATE	DATE	DATE
XXXX	XXXX	XXXX	XXXX

PARTIAL NO.		UWRB41533	
REV		REV	
DATE		DATE	
DATE		DATE	

LEVEL 2



LEVEL 1

