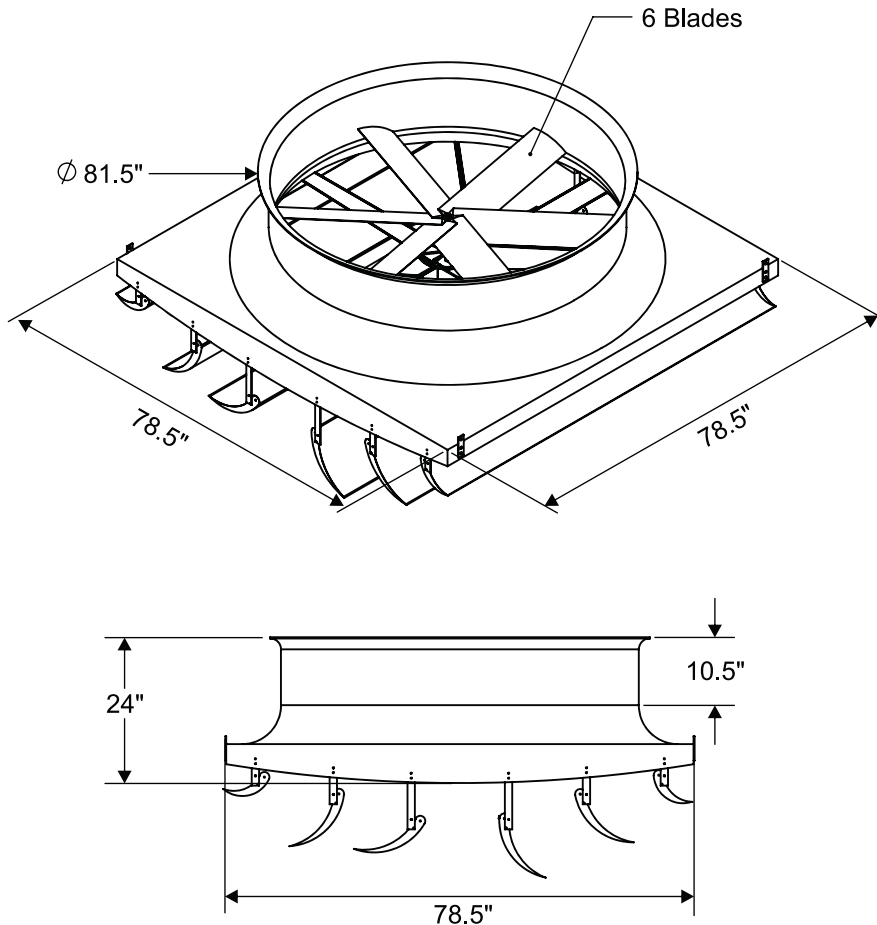


7ft Directional Fan



Fan Measurements



7ft Directional Fan

GENERAL

Size	72"
Blade	Precision Balanced Heavy Duty Corrosion Resistant Aluminum
Number of Blades	6
Motor Power.....	3 HP / 2.2 kW on High & 0.3 kW on Low
Weight	375 lbs

PERFORMANCE (AT MAX SPEED)

Airflow	80,000 CFM
Fan Speed	322 RPM
Air Velocity	1200 FPM Under Fan
Maximum Cooling Area	5,250 ft ²
Drive	Belt Driven
Watts Used.....	2200 W
Voltage	230 / 460 V
Motor Phase.....	3 Ph
Amperage.....	8.2 / 4.1 A

MOUNTING OPTIONS

.....	Steel Post
.....	Building Column
.....	Suspended From Ceiling

WARRANTY

Motor	3 Years
-------------	---------

FEATURES

.....	Heavy Galvanized Motor Mount
.....	Corrosive Resistant Fibreglass Housing
.....	Heavy Duty Bearing & Pulley System
.....	Maintenance Free Motor
.....	Quick Change Belt
.....	Directional Air Flow Deflectors
.....	Ideal For "High Rack Aisles"
.....	Can Create An Air Curtain Effect Over Large Doors

CONTROL OPTIONS (Not Included)..... Variable Frequency Drive

*These specifications are a guideline only and are subject to change without notice.

